
11. Spare Parts

BVE100 MTR Sub PCB Assy	RA3094	11.3
BVE100S Digital PCB Assy	RA3384	11.4
BVE100 Mix PCB Assy	RC3056	11.6
BVE100 I/P RR Con PCB Assy	RB3059	11.6
BVE100 Mix/Aux/CRM PCB Assy	RC3060	11.11
BVE100 Source PCB Assy	RE3057	11.11
B100 Source PCB Assy	RE3057a	11.14
BVE100 Mon PCB Assy	RF3058	11.16
B100 Mon PCB Assy	RF3058a	11.18
BVE100 I/P PCB Assy	RG3055	11.21
B100 I/P PCB Assy	RG3055a	11.24
BVE100 Master Mod Assy	RS5174	11.26
BVE100 I/P Mod Assy	RS5175	11.27
BVE100 RR Con Assy	RS5176	11.27
B100 Master Mod Assy	RS5406	11.28
B100 I/P Mod Assy	RS5407	11.28
B100 RR Con Assy	RS5409	11.29
BVE100S 8CH RR Con Assy	RS5548	11.29
BVE100S Master Module Assy	RS5555	11.30
BVE100 MYMA Swt Assy Red	RU1732	11.31
BVE100 8Ch Mech Frm	RT1815	11.31
BVE100 8Ch Mech Frm	RT1943	11.31
BVE100 MYMA Swt Assy Grn	RU1733	11.32
BVE100 MYMA Swt Assy White	RU1734	11.32
BVE100 Mic Wfm 50mm	RV2405	11.32
BVE100 SRC Wfm	RV2425	11.32

BVE100 37Wy D Con Wfm	RV2427	11.32
BVE100 Source I/P VCN 'A' Wireform	RV2428	11.32
BVE100 20Wy Motherloom	RV2430	11.33
BVE100 26Wy Mix I/P Loom	RV2431	11.33
BVE100 10Wy I/P Loom	RV2432	11.33
BVE100 16Wy Monitor Loom	RV2433	11.33
BVE100 Source/Mon 2Wy Wfm	RV2434	11.33
BVE100 Spkr to Mon Wfm	RV2435	11.33
BVE100 Mix/Srce/Mon Wfm	RV2438	11.33
BVE100 Source I/P VCN 'B' Wireform	RV2429	11.33
BVE100 Master Ground Wfm	RV2515	11.34
BVE100 8Ch Mono Console Assembly	RW1326	11.34
9-Way MI Editor Loom	RV2799	11.34
9-Way FML Editor Loom	RV2800	11.34
BVE100S SRC Wireform	RV2929	11.34
BVE100S Digital/Source Loom	RV2930	11.34
BVE100S Mic Wireform	RV2967	11.34
BVE100 Desk Ground Wfm	RV2514	11.34
B100 8Ch Mono Console Assembly	RW1438	11.35
BVE100 8Ch Mono Console Tstd	Ry1326	11.35
B100 8Ch Mono Console Tstd	RY1438	11.35
BVE100S 8CH Mono Cnsl Tstd	RY5105	11.36

Mtr Sub PCB

BVE100 MTR Sub PCB Assy		RA3094
IDENT	DESCRIPTION	PART No.
C1	VERT ELEC 0.2"TPD L-L 10MF 25V	CE0417
C2	VERT ELEC 0.2" TPD 47MF 25V	CE0401
C3	VERT ELEC 0.2" TPD 47MF 25V	CE0401
CN3	SPIRIT STUDIO 5WY FLEXI-STRIP	LC0234
D1	DIODE 1N4148	BA0001
D2	DIODE 1N4148	BA0001
IC1	SGL OP AMP IC TL071CP @	BE0404
IC2	QUAD COMPARATOR IC LM2901 @	BE0410
IC3	QUAD COMPARATOR IC LM2901 @	BE0410
IC4	QUAD COMPARATOR IC LM2901 @	BE0410
IC5	QUAD COMPARATOR IC LM2901 @	BE0410
LD1	T1 3MM S.BRT LED RED PRF.SHORT	JA0060
LD2	T1 3MM S.BRT LED RED PRF.LONG	JA0061
LD3	T1 3MM S.BRT LED RED PRF.SHORT	JA0060
LD4	T1 3MM S.BRT LED AMB PRF.LONG	JA0063
LD5	T1 3MM S.BRT LED AMB PRF.SHORT	JA0062
LD6	T1 3MM S.BRT LED AMB PRF.LONG	JA0063
LD7	T1 3MM S.BRT LED AMB PRF.SHORT	JA0062
LD8	T1 3MM S.BRT LED GRN PRF.LONG	JA0059
LD9	T1 3MM S.BRT LED GRN PRF.SHORT	JA0058
LD10	T1 3MM S.BRT LED GRN PRF.LONG	JA0059
LD11	T1 3MM S.BRT LED GRN PRF.SHORT	JA0058
LD12	T1 3MM S.BRT LED GRN PRF.LONG	JA0059
LD13	T1 3MM S.BRT LED GRN PRF.SHORT	JA0058
LD14	T1 3MM S.BRT LED GRN PRF.LONG	JA0059
LD15	T1 3MM S.BRT LED GRN PRF.SHORT	JA0058
LD16	T1 3MM S.BRT LED GRN PRF.LONG	JA0059
PR1	TRIMMER VERT 3306W- 20K	DE0430
R1	MF 0.25W RES 2% 22K	AD0481
R2	MF 0.25W RES 2% 47K	AD0489
R3	MF 0.25W RES 2% 1K	AD0449
R4	MF 0.25W RES 2% 22K	AD0481
R5	MF 0.25W RES 2% 2K4	AD0458
R6	MF 0.25W RES 2% 1K6	AD0454
R7	MF 0.25W RES 2% 1K2	AD0451
R8	MF 0.25W RES 2% 560R	AD0443
R9	MF 0.25W RES 2% 470R	AD0441
R10	MF 0.25W RES 2% 390R	AD0439
R11	MF 0.25W RES 2% 300R	AD0436
R12	MF 0.25W RES 2% 220R	AD0433
R13	MF 0.25W RES 2% 200R	AD0432
R14	MF 0.25W RES 2% 200R	AD0432
R15	MF 0.25W RES 2% 150R	AD0429
R16	MF 0.25W RES 2% 110R	AD0426
R17	MF 0.25W RES 2% 75R	AD0422
R18	MF 0.25W RES 2% 51R	AD0418
R19	MF 0.25W RES 2% 39R	AD0415
R20	MF 0.25W RES 2% 91R	AD0424
R21	MF 0.25W RES 2% 2K2	AD0457
R22	MF 0.25W RES 2% 33K	AD0485
R23	MF 0.25W RES 2% 2K2	AD0457
R24	MF 0.25W RES 2% 110R	AD0426

R25	MF 0.25W RES 2% 1K2	AD0451
R26	MF 0.25W RES 2% 110R	AD0426
SC3094	BVE100 MTR SUB PCB	GA3094
TR1	PNP TRANS 2SA970GR (TAPED)	BD0301
TR2	PNP TRANS 2SA970GR (TAPED)	BD0301

BVE100S DIGITAL PCB ASSY BVE100S Digital PCB Assy RA3384

IDENT	DESCRIPTION	PART No.
R18	MF 0.25W RES 2% 1R5	AD0399
R19	MF 0.25W RES 2% 10R	AD0401
R20	MF 0.25W RES 2% 10R	AD0401
R21	MF 0.25W RES 2% 10R	AD0401
R1	MF 0.25W RES 2% 100R	AD0425
R6	MF 0.25W RES 2% 100R	AD0425
R7	MF 0.25W RES 2% 390R	AD0439
R2	MF 0.25W RES 2% 1K	AD0449
R3	MF 0.25W RES 2% 1K	AD0449
R8	MF 0.25W RES 2% 10K	AD0473
R11	MF 0.25W RES 2% 10K	AD0473
R14	MF 0.25W RES 2% 10K	AD0473
R15	MF 0.25W RES 2% 10K	AD0473
R9	MF 0.25W RES 2% 15K	AD0477
R12	MF 0.25W RES 2% 15K	AD0477
R10	MF 0.25W RES 2% 18K	AD0479
R13	MF 0.25W RES 2% 18K	AD0479
R4	MF 0.25W RES 2% 47K	AD0489
R5	MF 0.25W RES 2% 100K	AD0497
R16	RES MF 10R 2% 0.25W RADIAL	AV0001
R17	RES MF 10R 2% 0.25W RADIAL	AV0001
STD	RES MF 10R 2% 0.25W RADIAL	AV0001
D1	DIODE 1N4148	BA0001
D2	DIODE 1N4001	BA0005
D3	DIODE 1N4001	BA0005
IC26	TL074CN QUAD OP AMP	BE0403
IC27	TL074CN QUAD OP AMP	BE0403
IC20	NE5532P/NJM5532D DUAL OP AMP @	BE0428
IC21	4016 QUAD ANALOGUE SWITCH #	BF0505
IC22	4016 QUAD ANALOGUE SWITCH #	BF0505
IC23	4016 QUAD ANALOGUE SWITCH #	BF0505
IC24	4016 QUAD ANALOGUE SWITCH #	BF0505
IC11	74HCT138 3-8 LINE DECODER #	BF0551
IC13	74HCT138 3-8 LINE DECODER #	BF0551
IC18	74HCT138 3-8 LINE DECODER #	BF0551
IC14	74HCT244 OCT TRI-STATE BUFFR #	BF0552
IC4	74HCT14 HEX SCHMTT TRGR INV #	BF0558
IC6	74HCT393 DUAL 4-BIT BIN CNTR #	BF0559
IC8	84C00AP MICROPROCESSOR #	BF0560
IC1	84C40P SERIAL I/O CONTROLLER #	BF0561
IC12	74HCT374 OCTAL LATCH #	BF0563
IC19	74HCT374 OCTAL LATCH #	BF0563
IC25	74HCT374 OCTAL LATCH #	BF0563
IC5	74HCT74 DUAL D-TYPE F/F #	BF0630
IC7	74HCT93 4BIT BIN RIPPLE CNTR #	BF0631
IC15	74HCT123 DUAL MONOSTABLE #	BF0632
IC2	SN75158P RS422 DRIVER	BK0912

IC3	SN75157P RS422 RECEIVER	BK0913
IC16	ZN428E-8 8 BIT D-A CONVERTER #	BL1008
IC17	ZN428E-8 8 BIT D-A CONVERTER #	BL1008
IC9	HM6264ALP10 8KX8 STATIC RAM #	BM1212
C1	C/C 0.2" TAPED 100V 100PF(N10)	CA0006
C5	MICRO-BOX 5MM 5% 63V 10N	CC0244
C6	MICRO-BOX 5MM 5% 63V 10N	CC0244
C7	POLY-CAP 5MM 5% 63V 100N	CC0252
C9	POLY-CAP 5MM 5% 63V 100N	CC0252
C12	POLY-CAP 5MM 5% 63V 100N	CC0252
C13	POLY-CAP 5MM 5% 63V 100N	CC0252
C14	POLY-CAP 5MM 5% 63V 100N	CC0252
C15	POLY-CAP 5MM 5% 63V 100N	CC0252
C16	POLY-CAP 5MM 5% 63V 100N	CC0252
C17	POLY-CAP 5MM 5% 63V 100N	CC0252
C18	POLY-CAP 5MM 5% 63V 100N	CC0252
C19	POLY-CAP 5MM 5% 63V 100N	CC0252
C20	POLY-CAP 5MM 5% 63V 100N	CC0252
C21	POLY-CAP 5MM 5% 63V 100N	CC0252
C22	POLY-CAP 5MM 5% 63V 100N	CC0252
C23	POLY-CAP 5MM 5% 63V 100N	CC0252
C24	POLY-CAP 5MM 5% 63V 100N	CC0252
C25	POLY-CAP 5MM 5% 63V 100N	CC0252
C4	POLY-CAP 5MM 5% 63V 220N	CC0255
C8	VERT ELEC 0.2" TPD 47MF 25V	CE0401
C10	VERT ELEC 0.2" TPD 47MF 25V	CE0401
C11	VERT ELEC 0.2" TPD 47MF 25V	CE0401
C2	VERT ELEC 0.2" TPD 100MF 10V	CE0403
C26	VERT ELEC 0.2" TPD 2.2MF 50V	CE0416
C27	VERT ELEC 0.2" TPD 2.2MF 50V	CE0416
C3	TANT ELEC .22MF 35V	CF0511
VR1	MINI TRIMMER 10K	DE0436
VR2	MINI TRIMMER 10K	DE0436
CN1	T&B CON IDC 10WY LW PRF VRT ML	FA0067
CN2	T&B CON IDC 10WY LW PRF VRT ML	FA0067
CN4	T&B CON IDC 16WY LW PRF VRT ML	FA0068
CN5	T&B CON IDC 16WY LW PRF VRT ML	FA0068
J3	HONDA .1" 2WY SIL HDR (GOLD)	FF0613
J4	HONDA .1" 2WY SIL HDR (GOLD)	FF0613
J5	HONDA .1" 2WY SIL HDR (GOLD)	FF0613
J6	HONDA .1" 2WY SIL HDR (GOLD)	FF0613
J7	HONDA .1" 2WY SIL HDR (GOLD)	FF0613
J9	HONDA .1" 2WY SIL HDR (GOLD)	FF0613
J1-REPL	HONDA .1" 2WY JUMPER (GOLD)	FF0614
J2-EAVE	HONDA .1" 2WY JUMPER (GOLD)	FF0614
J13	HONDA .1" 2WY JUMPER (GOLD)	FF0614
J14	HONDA .1" 2WY JUMPER (GOLD)	FF0614
J15	HONDA .1" 2WY JUMPER (GOLD)	FF0614
J16	HONDA .1" 2WY JUMPER (GOLD)	FF0614
J17	HONDA .1" 2WY JUMPER (GOLD)	FF0614
J18-MON	HONDA .1" 2WY JUMPER (GOLD)	FF0614
J1	.1" 3WY SIL HDR(GLD)2.54MM PIN	FF0637
J2	.1" 3WY SIL HDR(GLD)2.54MM PIN	FF0637
J8	.1" 3WY SIL HDR(GLD)2.54MM PIN	FF0637
J12	.1" 3WY SIL HDR(GLD)2.54MM PIN	FF0637
J13	.1" 3WY SIL HDR(GLD)2.54MM PIN	FF0637
J14	.1" 3WY SIL HDR(GLD)2.54MM PIN	FF0637
J15	.1" 3WY SIL HDR(GLD)2.54MM PIN	FF0637
J16	.1" 3WY SIL HDR(GLD)2.54MM PIN	FF0637

J17	1" 3WY SIL HDR(GLD)2.54MM PIN	FF0637
J18	1" 3WY SIL HDR(GLD)2.54MM PIN	FF0637
CN3	MTHD .1" 4WY VERT LCKG ML HDR	FF0638
IC9	28WY DIL IC SKT DUAL WIPE TIN	FF0728
IC10	28WY DIL IC SKT DUAL WIPE TIN	FF0728
IC1	40WY DIL IC SKT DUAL WIPE TIN	FF0729
IC8	40WY DIL IC SKT DUAL WIPE TIN	FF0729
IC10	V2.08P	RX1072

I/P RR Con PCB Assy

I/P RR Con PCB Assy		BVE100 I/P RR Con PCB Assy	RB3059
IDENT	DESCRIPTION	PART No.	
CN1	G80 IDC 10WY R/A LTCHD HDR	FA0058	
CN1	N04X3/8 PAN POZI SLF TAP Z/CLR	NA0242	
SC3059	BVE100 I/P RR CON PCB	GB3059	

Mix PCB Assy

Mix PCB Assy		BVE100 Mix PCB Assy	RC3056
IDENT	DESCRIPTION	PART No.	
(3	7/0.2 RED WIRE	LA0008	
(3	7/0.2 TWISTED PAIR BLUE/YELLOW	LA0050	
C1	VERT ELEC 220MF 6.3V 6 X 11MM	CE0423	
C2	VERT ELEC 0.2" TPD 47MF 25V	CE0401	
C3	VERT ELEC 220MF 6.3V 6 X 11MM	CE0423	
C4	C/CAP 0.2" PRFRM TPD 100V 22PF	CA0004	
C5	C/CAP 0.2" PRFRM TPD 100V 22PF	CA0004	
C6	C/CAP 0.2" PRFRM TPD 100V 22PF	CA0004	
C7	VERT ELEC 220MF 6.3V 6 X 11MM	CE0423	
C8	VERT ELEC 0.2" TPD 47MF 25V	CE0401	
C9	VERT ELEC 220MF 6.3V 6 X 11MM	CE0423	
C10	C/CAP 0.2" PRFRM TPD 100V 22PF	CA0004	
C11	C/CAP 0.2" PRFRM TPD 100V 22PF	CA0004	
C12	C/CAP 0.2" PRFRM TPD 100V 22PF	CA0004	
C13	VERT ELEC 220MF 6.3V 6 X 11MM	CE0423	
C14	VERT ELEC 0.2" TPD 47MF 25V	CE0401	
C15	VERT ELEC 0.2" TPD 47MF 25V	CE0401	
C16	VERT ELEC 0.2" TPD 47MF 25V	CE0401	
C17	VERT ELEC 220MF 6.3V 6 X 11MM	CE0423	
C18	VERT ELEC 220MF 6.3V 6 X 11MM	CE0423	
C19	C/CAP 0.2" PRFRM TPD 100V 22PF	CA0004	
C20	C/CAP 0.2" PRFRM TPD 100V 22PF	CA0004	
C21	C/C 0.2" TAPED 100V 100PF(N10)	CA0006	
C22	C/CAP 0.2" PRFRM TPD 100V 22PF	CA0004	
C23	C/CAP 0.2" PRFRM TPD 100V 12PF	CA0002	
C24	C/CAP 0.2" PRFRM TPD 100V 12PF	CA0002	
C25	C/CAP 0.2" PRFRM TPD 100V 12PF	CA0002	
C26	C/CAP 0.2" PRFRM TPD 100V 12PF	CA0002	
C27	VERT ELEC 220MF 6.3V 6 X 11MM	CE0423	
C28	VERT ELEC 0.2" TPD 47MF 25V	CE0401	
C29	VERT ELEC 0.2" TPD 47MF 25V	CE0401	
C30	VERT ELEC 0.2" TPD 47MF 25V	CE0401	
C31	VERT ELEC 220MF 6.3V 6 X 11MM	CE0423	
C32	VERT ELEC 220MF 6.3V 6 X 11MM	CE0423	
C33	C/CAP 0.2" PRFRM TPD 100V 22PF	CA0004	
C34	C/CAP 0.2" PRFRM TPD 100V 22PF	CA0004	
C35	C/C 0.2" TAPED 100V 100PF(N10)	CA0006	
C36	C/CAP 0.2" PRFRM TPD 100V 22PF	CA0004	

C37	C/CAP 0.2" PRFRM TPD 100V 12PF	CA0002
C38	C/CAP 0.2" PRFRM TPD 100V 12PF	CA0002
C39	C/CAP 0.2" PRFRM TPD 100V 12PF	CA0002
C40	C/CAP 0.2" PRFRM TPD 100V 12PF	CA0002
C41	VERT ELEC 0.2" TPD 47MF 25V	CE0401
C42	VERT ELEC 0.2" TPD 47MF 25V	CE0401
C43	VERT ELEC 220MF 6.3V 6 X 11MM	CE0423
C44	VERT ELEC 220MF 6.3V 6 X 11MM	CE0423
C45	C/CAP 0.2" PRFRM TPD 100V 22PF	CA0004
C46	C/C 0.2" TAPED 100V 100PF(N10)	CA0006
C47	C/CAP 0.2" PRFRM TPD 100V 22PF	CA0004
C48	C/CAP 0.2" PRFRM TPD 100V 12PF	CA0002
C49	C/CAP 0.2" PRFRM TPD 100V 12PF	CA0002
C50	C/CAP 0.2" PRFRM TPD 100V 12PF	CA0002
C51	C/CAP 0.2" PRFRM TPD 100V 12PF	CA0002
C52	VERT ELEC 0.2" TPD 47MF 25V	CE0401
C53	VERT ELEC 0.2" TPD 47MF 25V	CE0401
C54	VERT ELEC 0.2" TPD 47MF 25V	CE0401
C55	VERT ELEC 0.2" TPD 47MF 25V	CE0401
C56	C/CAP 0.2" PRFRM TPD 100V 22PF	CA0004
C57	C/CAP 0.2" PRFRM TPD 100V 22PF	CA0004
C58	C/CAP 0.2" PRFRM TPD 100V 22PF	CA0004
C59	C/CAP 0.2" PRFRM TPD 100V 22PF	CA0004
C60	C/CAP 0.2" PRFRM TPD 100V 22PF	CA0004
C61	C/CAP 0.2" PRFRM TPD 100V 22PF	CA0004
C62	C/CAP 0.2" PRFRM TPD 100V 22PF	CA0004
C63	C/CAP 0.2" PRFRM TPD 100V 22PF	CA0004
C64	VERT ELEC 0.2" TPD 47MF 25V	CE0401
C65	VERT ELEC 0.2" TPD 2.2MF 50V	CE0416
C66	POLY-CAP 5MM 5% 100V 22N	CC0246
C67	POLY-CAP 5MM 5% 100V 22N	CC0246
C68	VERT ELEC 0.2" TPD L-L 10MF 25V	CE0417
C69	VERT ELEC 0.2" TPD 47MF 25V	CE0401
C70	VERT ELEC 0.2" TPD 47MF 25V	CE0401
C71	VERT ELEC 0.2" TPD 47MF 25V	CE0401
C72	VERT ELEC 0.2" TPD 47MF 25V	CE0401
C73	POLY-CAP 5MM 5% 63V 100N	CC0252
C74	POLY-CAP 5MM 5% 63V 100N	CC0252
C75	POLY-CAP 5MM 5% 63V 100N	CC0252
C76	POLY-CAP 5MM 5% 63V 100N	CC0252
CN1	G80 IDC 20WY R/A LTCHD HDR	FA0060
CN2	G80 IDC 26WY R/A LATCHD ML HDR	FA0063
CN3	G80 IDC 26WY R/A LATCHD ML HDR	FA0063
D1	DIODE 1N4148	BA0001
D2	DIODE 1N4148	BA0001
D3	DIODE 1N4148	BA0001
DZ1	ZENER DIODE 400MW 6.2V	BB0104
IC1	8WY DIL IC SOCKET	FF0718
IC1	DUAL OP AMP IC NE5532	BE0428
IC4	DUAL OP AMP IC TL072CP @	BE0413
IC5	DUAL OP AMP IC TL072CP @	BE0413
IC8	DUAL OP AMP IC TL072CP @	BE0413
IC10	DUAL OP AMP IC TL072CP @	BE0413
IC11	DUAL OP AMP IC TL072CP @	BE0413
IC12	DUAL OP AMP IC TL072CP @	BE0413
IC13	14WY DIL IC SOCKET	FF0719
IC13	QUAD COMPARATOR IC LM2901 @	BE0410
IC14	14WY DIL IC SOCKET	FF0719

IC14	QUAD COMPARATOR IC LM2901 @	BE0410
IC15	14WY DIL IC SOCKET	FF0719
IC15	QUAD COMPARATOR IC LM2901 @	BE0410
IC16	14WY DIL IC SOCKET	FF0719
IC16	QUAD COMPARATOR IC LM2901 @	BE0410
LD1	T1 3MM S.BRT LED RED PRF.SHORT	JA0060
LD2	T1 3MM S.BRT LED RED PRF.LONG	JA0061
LD3	T1 3MM S.BRT LED RED PRF.SHORT	JA0060
LD4	T1 3MM S.BRT LED AMB PRF.LONG	JA0063
LD5	T1 3MM S.BRT LED AMB PRF.SHORT	JA0062
LD6	T1 3MM S.BRT LED AMB PRF.LONG	JA0063
LD7	T1 3MM S.BRT LED AMB PRF.SHORT	JA0062
LD8	T1 3MM S.BRT LED GRN PRF.LONG	JA0059
LD9	T1 3MM S.BRT LED GRN PRF.SHORT	JA0058
LD10	T1 3MM S.BRT LED GRN PRF.LONG	JA0059
LD11	T1 3MM S.BRT LED GRN PRF.SHORT	JA0058
LD12	T1 3MM S.BRT LED GRN PRF.LONG	JA0059
LD13	T1 3MM S.BRT LED GRN PRF.SHORT	JA0058
LD14	T1 3MM S.BRT LED GRN PRF.LONG	JA0059
LD15	T1 3MM S.BRT LED GRN PRF.SHORT	JA0058
LD16	T1 3MM S.BRT LED GRN PRF.LONG	JA0059
LD17	T1 3MM S.BRT LED GRN PRF.SHORT	JA0058
LD18	T1 3MM S.BRT LED RED PRF.SHORT	JA0060
LD19	T1 3MM S.BRT LED RED PRF.SHORT	JA0060
LD20	T1 3MM S.BRT LED GRN PRF.SHORT	JA0058
LD21	T1 3MM S.BRT LED RED PRF.SHORT	JA0060
LD22	T1 3MM S.BRT LED GRN PRF.SHORT	JA0058
LD23	T1 3MM S.BRT LED RED PRF.SHORT	JA0060
PR1	BIC-CITEC TRIMMER 406M 2K	DE0422
PR2	BIC-CITEC TRIMMER 406M 2K	DE0422
PR3	BIC-CITEC TRIMMER 406M 2K	DE0422
PR4	TRIMMER VERT 3306W- 20K	DE0430
PR5	TRIMMER VERT 3306W- 20K	DE0430
R1	MF 0.25W RES 2% 10R	AD0401
R2	MF 0.25W RES 2% 12K	AD0475
R3	MF 0.25W RES 2% 22K	AD0481
R4	MF 0.25W RES 2% 22K	AD0481
R5	MF 0.25W RES 2% 75R	AD0422
R6	MF 0.25W RES 2% 47K	AD0489
R7	MF 0.25W RES 2% 47K	AD0489
R8	MF 0.25W RES 2% 75R	AD0422
R9	MF 0.25W RES 2% 47K	AD0489
R10	MF 0.25W RES 2% 22K	AD0481
R11	MF 0.25W RES 2% 10R	AD0401
R12	MF 0.25W RES 2% 12K	AD0475
R13	MF 0.25W RES 2% 22K	AD0481
R14	MF 0.25W RES 2% 22K	AD0481
R15	MF 0.25W RES 2% 75R	AD0422
R16	MF 0.25W RES 2% 47K	AD0489
R17	MF 0.25W RES 2% 47K	AD0489
R18	MF 0.25W RES 2% 75R	AD0422
R19	MF 0.25W RES 2% 47K	AD0489
R20	MF 0.25W RES 2% 22K	AD0481
R21	MF 0.25W RES 2% 10R	AD0401
R22	MF 0.25W RES 2% 12K	AD0475
R23	MF 0.25W RES 2% 12K	AD0475
R24	MF 0.25W RES 2% 12K	AD0475
R25	MF 0.25W RES 2% 75R	AD0422

R26	MF 0.25W RES 2% 47K	AD0489
R28	MF 0.25W RES 2% 47K	AD0489
R29	MF 0.25W RES 2% 5K1	AD0466
R30	MF 0.25W RES 2% 5K1	AD0466
R31	MF 0.25W RES 2% 5K1	AD0466
R32	MF 0.25W RES 2% 5K1	AD0466
R33	MF 0.25W RES 2% 5K1	AD0466
R34	MF 0.25W RES 2% 10K	AD0473
R35	MF 0.25W RES 2% 10K	AD0473
R36	MF 0.25W RES 2% 10K	AD0473
R37	MF 0.25W RES 2% 10K	AD0473
R38	MF 0.25W RES 2% 75R	AD0422
R39	MF 0.25W RES 2% 75R	AD0422
R40	MF 0.25W RES 2% 1K	AD0449
R41	MF 0.25W RES 2% 1K	AD0449
R42	MF 0.25W RES 2% 10R	AD0401
R43	MF 0.25W RES 2% 12K	AD0475
R44	MF 0.25W RES 2% 12K	AD0475
R45	MF 0.25W RES 2% 12K	AD0475
R46	MF 0.25W RES 2% 75R	AD0422
R47	MF 0.25W RES 2% 47K	AD0489
R49	MF 0.25W RES 2% 47K	AD0489
R50	MF 0.25W RES 2% 5K1	AD0466
R51	MF 0.25W RES 2% 5K1	AD0466
R52	MF 0.25W RES 2% 5K1	AD0466
R53	MF 0.25W RES 2% 5K1	AD0466
R54	MF 0.25W RES 2% 5K1	AD0466
R55	MF 0.25W RES 2% 10K	AD0473
R56	MF 0.25W RES 2% 10K	AD0473
R57	MF 0.25W RES 2% 10K	AD0473
R58	MF 0.25W RES 2% 10K	AD0473
R59	MF 0.25W RES 2% 75R	AD0422
R60	MF 0.25W RES 2% 75R	AD0422
R61	MF 0.25W RES 2% 1K	AD0449
R62	MF 0.25W RES 2% 1K	AD0449
R63	MF 0.25W RES 2% 47K	AD0489
R64	MF 0.25W RES 2% 47K	AD0489
R65	MF 0.25W RES 2% 33K	AD0485
R66	MF 0.25W RES 2% 47K	AD0489
R68	MF 0.25W RES 2% 5K1	AD0466
R69	MF 0.25W RES 2% 5K1	AD0466
R70	MF 0.25W RES 2% 5K1	AD0466
R71	MF 0.25W RES 2% 5K1	AD0466
R72	MF 0.25W RES 2% 5K1	AD0466
R73	MF 0.25W RES 2% 10K	AD0473
R74	MF 0.25W RES 2% 10K	AD0473
R75	MF 0.25W RES 2% 10K	AD0473
R76	MF 0.25W RES 2% 10K	AD0473
R77	MF 0.25W RES 2% 75R	AD0422
R78	MF 0.25W RES 2% 75R	AD0422
R79	MF 0.25W RES 2% 1K	AD0449
R80	MF 0.25W RES 2% 1K	AD0449
R81	MF 0.25W RES 2% 10K	AD0473
R82	MF 0.25W RES 2% 10K	AD0473
R83	MF 0.25W RES 2% 5K1	AD0466
R84	MF 0.25W RES 2% 5K1	AD0466
R85	MF 0.25W RES 2% 22K	AD0481
R86	MF 0.25W RES 2% 22K	AD0481

R87	MF 0.25W RES 2% 3K9	AD0463
R88	MF 0.25W RES 2% 10K	AD0473
R89	MF 0.25W RES 2% 10K	AD0473
R90	MF 0.25W RES 2% 5K1	AD0466
R91	MF 0.25W RES 2% 5K1	AD0466
R92	MF 0.25W RES 2% 22K	AD0481
R93	MF 0.25W RES 2% 3K9	AD0463
R94	MF 0.25W RES 2% 10K	AD0473
R95	MF 0.25W RES 2% 10K	AD0473
R96	MF 0.25W RES 2% 5K1	AD0466
R97	MF 0.25W RES 2% 5K1	AD0466
R98	MF 0.25W RES 2% 22K	AD0481
R99	MF 0.25W RES 2% 22K	AD0481
R100	MF 0.25W RES 2% 3K9	AD0463
R101	MF 0.25W RES 2% 10K	AD0473
R102	MF 0.25W RES 2% 10K	AD0473
R103	MF 0.25W RES 2% 5K1	AD0466
R104	MF 0.25W RES 2% 5K1	AD0466
R105	MF 0.25W RES 2% 22K	AD0481
R106	MF 0.25W RES 2% 3K9	AD0463
R107	MF 0.25W RES 2% 6K8	AD0469
R108	MF 0.25W RES 2% 6K8	AD0469
R109	MF 0.25W RES 2% 2K4	AD0458
R110	MF 0.25W RES 2% 5K1	AD0466
R111	MF 0.25W RES 2% 10K	AD0473
R112	MF 0.25W RES 2% 10K	AD0473
R113	MF 0.25W RES 2% 1K2	AD0451
R114	MF 0.25W RES 2% 47K	AD0489
R115	MF 0.25W RES 2% 47K	AD0489
R116	MF 0.25W RES 2% 3K9	AD0463
R117	MF 0.25W RES 2% 47K	AD0489
R118	MF 0.25W RES 2% 47K	AD0489
R119	MF 0.25W RES 2% 47K	AD0489
R120	MF 0.25W RES 2% 22K	AD0481
R121	MF 0.25W RES 2% 47K	AD0489
R122	MF 0.25W RES 2% 1K	AD0449
R123	MF 0.25W RES 2% 33K	AD0485
R124	MF 0.25W RES 2% 2K4	AD0458
R125	MF 0.25W RES 2% 1K6	AD0454
R126	MF 0.25W RES 2% 1K2	AD0451
R127	MF 0.25W RES 2% 560R	AD0443
R128	MF 0.25W RES 2% 470R	AD0441
R129	MF 0.25W RES 2% 390R	AD0439
R130	MF 0.25W RES 2% 300R	AD0436
R131	MF 0.25W RES 2% 220R	AD0433
R132	MF 0.25W RES 2% 200R	AD0432
R133	MF 0.25W RES 2% 200R	AD0432
R134	MF 0.25W RES 2% 150R	AD0429
R135	MF 0.25W RES 2% 110R	AD0426
R136	MF 0.25W RES 2% 75R	AD0422
R137	MF 0.25W RES 2% 51R	AD0418
R138	MF 0.25W RES 2% 39R	AD0415
R139	MF 0.25W RES 2% 91R	AD0424
R140	MF 0.25W RES 2% 2K2	AD0457
R141	MF 0.25W RES 2% 33K	AD0485
R142	MF 0.25W RES 2% 2K2	AD0457
R143	MF 0.25W RES 2% 110R	AD0426
R144	MF 0.25W RES 2% 1K2	AD0451

R145	MF 0.25W RES 2% 110R	AD0426
R146	MF 0.25W RES 2% 75R	AD0422
R147	RES MF 10R 2% 0.25W RADIAL	AV0001
R148	RES MF 10R 2% 0.25W RADIAL	AV0001
R149	MF 0.25W RES 2% 6K8	AD0469
R150	MF 0.25W RES 2% 75R	AD0422
R151	RES MF 10R 2% 0.25W RADIAL	AV0001
R152	RES MF 10R 2% 0.25W RADIAL	AV0001
R153	MF 0.25W RES 2% 10R	AD0401
R154	MF 0.25W RES 2% 2K4	AD0458
R155	MF 0.25W RES 2% 2K4	AD0458
R156	MF 0.25W RES 2% 2K4	AD0458
R157	MF 0.25W RES 2% 2K4	AD0458
R158	MF 0.25W RES 2% 10R	AD0401
SC3056	BVE100 MIX PCB	GC3056
SW1	ALPS (SUN TYPE)2 POLE PUSH SWT	DF0516
SW2	ALPS (SUN TYPE)2 POLE PUSH SWT	DF0516
SW3	ALPS (SUN TYPE)2 POLE PUSH SWT	DF0516
SW4	ALPS (SUN TYPE)2 POLE PUSH SWT	DF0516
SW5	ALPS (SUN TYPE)4 POLE PUSH SWT	DF0517
SW6	ALPS (SUN TYPE)2 POLE PUSH SWT	DF0516
SW7	ALPS (SUN TYPE)4 POLE PUSH SWT	DF0517
SW8	ALPS (SUN TYPE)2 POLE PUSH SWT	DF0516
TR1	FET SWITCH J112 (TAPED) @	BD0322
TR2	NPN TRANS 2SC2240BL(TAPED)	BD0302
TR3	PNP TRANS 2SA970GR (TAPED)	BD0301
TR4	PNP TRANS 2SA970GR (TAPED)	BD0301
TR5	PNP TRANS 2SA970GR (TAPED)	BD0301
TR6	PNP TRANS 2SA970GR (TAPED)	BD0301
VR1	ALPS 16MM 10KA LOG	DM1103
VR2	ALPS 16MM 10KA LOG	DM1103
VR3	ALPS 16MM 10KA LOG X 2	DM1105
VR4	ALPS 16MM 10KA LOG X 2	DM1105

Mix/Aux/Crm PCB Assy BVE100 Mix/Aux/CRM PCB Assy RC3060

IDENT	DESCRIPTION	PART No.
CN1	G80 IDC 26WY R/A LATCHD ML HDR	FA0063
CN2	G80 IDC 26WY R/A LATCHD ML HDR	FA0063
CN3	G80 1DC 16WY R/A LTCH ML HDR	FA0073
SC3060	BVE100 MIX/AUX/CRM PCB	GC3060

BVE100 Source PCB BVE100 Source PCB Assy RE3057

IDENT	DESCRIPTION	PART No.
C1	POLY-CAP 5MM 5% 100V 47N	CC0248
C2	POLY-CAP 5MM 5% 100V 10N	CC0244
C3	POLY-CAP 5MM 5% 100V 47N	CC0248
C4	POLY-CAP 5MM 5% 100V 10N	CC0244
C5	POLY-CAP 5MM 5% 100V 47N	CC0248
C6	POLY-CAP 5MM 5% 100V 10N	CC0244
C7	POLY-CAP 5MM 5% 100V 47N	CC0248
C8	VERT ELEC 0.2" TPD 47MF 25V	CE0401

C9	VERT ELEC 0.2"TPD 2.2MF 50V	CE0416
C10	VERT ELEC 0.2"TPD 2.2MF 50V	CE0416
C12	VERT ELEC 0.2"TPD 2.2MF 50V	CE0416
C13	VERT ELEC 0.2" TPD 47MF 25V	CE0401
C14	VERT ELEC 0.2" TPD 47MF 25V	CE0401
C15	POLY-CAP 5MM 5% 63V 100N	CC0252
C16	POLY-CAP 5MM 5% 63V 100N	CC0252
C17	POLY-CAP 5MM 5% 63V 100N	CC0252
C18	POLY-CAP 5MM 5% 63V 100N	CC0252
C19	POLY-CAP 5MM 5% 63V 100N	CC0252
C20	VERT ELEC 0.2"TPD 2.2MF 50V	CE0416
C21	POLY-CAP 5MM 5% 100V 1N	CC0238
C22	POLY-CAP 5MM 5% 100V 1N	CC0238
C23	POLY-CAP 5MM 5% 100V 1N	CC0238
CN1	G80 IDC 20WY R/A LTCHD HDR	FA0060
CN2	G80 IDC 26WY R/A LATCHD ML HDR	FA0063
CN3	MTHD .1" 4WY VERT LCKG ML HDR	FF0638
CN4	MTHD .1" 4WY VERT LCKG ML HDR	FF0638
CN5	MTHD .1" 4WY VERT LCKG ML HDR	FF0638
CN6	MTHD .1" 4WY VERT LCKG ML HDR	FF0638
CN7	G80 IDC 16WY VERT ML LTCH HDR	FA0092
CN8	MTHD.1"2WY R/A LCKG ML HDR S12	FF0648
CN9	G80 IDC 16WY VERT ML LTCH HDR	FA0092
D1	DIODE 1N4148	BA0001
D2	DIODE 1N4148	BA0001
D3	DIODE 1N4148	BA0001
D4	DIODE 1N4148	BA0001
D5	DIODE 1N4148	BA0001
D6	DIODE 1N4148	BA0001
D10	DIODE 1N4148	BA0001
IC1	14WY DIL IC SOCKET	FF0719
IC1	4011 QUAD 2 I/P NAND #	BF0502
IC2	14WY DIL IC SOCKET	FF0719
IC2	4011 QUAD 2 I/P NAND #	BF0502
IC3	16WY DIL IC SOCKET	FF0720
IC3	DG308/CJ QUAD ANALOGUE GATE #	BF0517
IC4	16WY DIL IC SOCKET	FF0720
IC4	DG308/CJ QUAD ANALOGUE GATE #	BF0517
IC5	16WY DIL IC SOCKET	FF0720
IC5	DG308/CJ QUAD ANALOGUE GATE #	BF0517
IC6	8WY DIL IC SOCKET	FF0718
IC6	DUAL OP AMP IC TL072CP @	BE0413
IC7	14WY DIL IC SOCKET	FF0719
IC7	4070 QUAD EXCLUSIVE OR #	BF0516
IC8	14WY DIL IC SOCKET	FF0719
IC8	QUAD COMPARATOR IC LM2901 @	BE0410
IC9	14WY DIL IC SOCKET	FF0719
IC9	QUAD COMPARATOR IC LM2901 @	BE0410
IC10	4066 QUAD ANALOGUE SWITCH #	BF0507
IC11	4066 QUAD ANALOGUE SWITCH #	BF0507
IC12	4066 QUAD ANALOGUE SWITCH #	BF0507
IC13	4066 QUAD ANALOGUE SWITCH #	BF0507
LD1	T1 3MM S.BRT LED RED PRF.SHORT	JA0060
LD2	T1 3MM S.BRT LED RED PRF.LONG	JA0061
LD3	T1 3MM S.BRT LED RED PRF.SHORT	JA0060
LD4	T1 3MM S.BRT LED AMB PRF.LONG	JA0063
LD5	T1 3MM S.BRT LED AMB PRF.SHORT	JA0062
LD6	T1 3MM S.BRT LED AMB PRF.LONG	JA0063

LD7	T1 3MM S.BRT LED GRN PRF.SHORT	JA0058
LD8	T1 3MM S.BRT LED GRN PRF.LONG	JA0059
LD9	T1 3MM S.BRT LED GRN PRF.SHORT	JA0058
R1	MF 0.25W RES 2% 10K	AD0473
R2	MF 0.25W RES 2% 10K	AD0473
R3	MF 0.25W RES 2% 4K7	AD0465
R4	MF 0.25W RES 2% 100K	AD0497
R5	MF 0.25W RES 2% 680K	AD0517
R6	MF 0.25W RES 2% 100K	AD0497
R7	MF 0.25W RES 2% 100K	AD0497
R8	MF 0.25W RES 2% 27K	AD0483
R9	MF 0.25W RES 2% 100K	AD0497
R10	MF 0.25W RES 2% 4K7	AD0465
R11	MF 0.25W RES 2% 150K	AD0501
R12	MF 0.25W RES 2% 10K	AD0473
R13	MF 0.25W RES 2% 1K	AD0449
R14	MF 0.25W RES 2% 100K	AD0497
R15	MF 0.25W RES 2% 4M7	AD0530
R16	MF 0.25W RES 2% 27K	AD0483
R17	MF 0.25W RES 2% 4K7	AD0465
R18	MF 0.25W RES 2% 150K	AD0501
R19	MF 0.25W RES 2% 10K	AD0473
R20	MF 0.25W RES 2% 1K	AD0449
R21	MF 0.25W RES 2% 100K	AD0497
R22	MF 0.25W RES 2% 4M7	AD0530
R23	MF 0.25W RES 2% 27K	AD0483
R24	MF 0.25W RES 2% 4K7	AD0465
R25	MF 0.25W RES 2% 150K	AD0501
R26	MF 0.25W RES 2% 10K	AD0473
R27	MF 0.25W RES 2% 1K	AD0449
R28	MF 0.25W RES 2% 100K	AD0497
R29	MF 0.25W RES 2% 4M7	AD0530
R30	MF 0.25W RES 2% 27K	AD0483
R31	MF 0.25W RES 2% 100R	AD0425
R32	MF 0.25W RES 2% 100R	AD0425
R33	MF 0.25W RES 2% 4K7	AD0465
R34	MF 0.25W RES 2% 680K	AD0517
R35	MF 0.25W RES 2% 12K	AD0475
R36	MF 0.25W RES 2% 4K7	AD0465
R37	MF 0.25W RES 2% 680K	AD0517
R38	MF 0.25W RES 2% 12K	AD0475
R41	MF 0.25W RES 2% 27K	AD0483
R42	MF 0.25W RES 2% 27K	AD0483
R43	MF 0.25W RES 2% 1K	AD0449
R44	MF 0.25W RES 2% 1K	AD0449
R45	MF 0.25W RES 2% 1K	AD0449
R46	MF 0.25W RES 2% 1K	AD0449
R47	MF 0.25W RES 2% 1K	AD0449
R48	MF 0.25W RES 2% 1K	AD0449
R49	MF 0.25W RES 2% 1K	AD0449
R50	MF 0.25W RES 2% 1K	AD0449
R51	MF 0.25W RES 2% 1K	AD0449
R52	MF 0.25W RES 2% 1K	AD0449
R53	MF 0.25W RES 2% 1K	AD0449
R54	MF 0.25W RES 2% 27K	AD0483
R55	MF 0.25W RES 2% 4K7	AD0465
R56	MF 0.25W RES 2% 100R	AD0425
R57	MF 0.25W RES 2% 470R	AD0441

R58	MF 0.25W RES 2% 100R	AD0425
R59	MF 0.25W RES 2% 470R	AD0441
R60	MF 0.25W RES 2% 100R	AD0425
R61	RES MF 10R 2% 0.25W RADIAL	AV0001
R62	RES MF 10R 2% 0.25W RADIAL	AV0001
R63	MF 0.25W RES 2% 10R	AD0401
R64	MF 0.25W RES 2% 10R	AD0401
SC3057	BVE100 SOURCE PCB	GE3057
SW1	ALPS (SUN TYPE)4 POLE PUSH SWT	DF0517
TR1	PNP TRANS 2SA970GR (TAPED)	BD0301
TR2	NPN TRANS 2SC2240BL(TAPED)	BD0302
TR6	NPN TRANS 2SC2240BL(TAPED)	BD0302
TR7	NPN TRANS 2SC2240BL(TAPED)	BD0302
TR8	NPN TRANS 2SC2240BL(TAPED)	BD0302
TR9	NPN TRANS 2SC2240BL(TAPED)	BD0302
TR10	PNP TRANS 2SA970GR (TAPED)	BD0301
TR11	PNP TRANS 2SA970GR (TAPED)	BD0301
TR12	PNP TRANS 2SA970GR (TAPED)	BD0301
TR13	NPN TRANS 2SC2240BL(TAPED)	BD0302
TR14	NPN TRANS 2SC2240BL(TAPED)	BD0302
VCN1	MTHD 8WY.1" ML LCKNG PLRSD HDR	FF0569
VCN2	MTHD 8WY.1" ML LCKNG PLRSD HDR	FF0569
VCN3	MTHD 8WY.1" ML LCKNG PLRSD HDR	FF0569
VCN4	MTHD 8WY.1" ML LCKNG PLRSD HDR	FF0569

B100 Source PCB

IDENT	DESCRIPTION	PART No.
	B100 Source PCB Assy	RE3057a
C6	POLY-CAP 5MM 5% 100V 10N	CC0244
C7	POLY-CAP 5MM 5% 100V 47N	CC0248
C8	VERT ELEC 0.2" TPD 47MF 25V	CE0401
C9	VERT ELEC 0.2" TPD 2.2MF 50V	CE0416
C10	VERT ELEC 0.2" TPD 2.2MF 50V	CE0416
C12	VERT ELEC 0.2" TPD 2.2MF 50V	CE0416
C13	VERT ELEC 0.2" TPD 47MF 25V	CE0401
C14	VERT ELEC 0.2" TPD 47MF 25V	CE0401
C15	POLY-CAP 5MM 5% 63V 100N	CC0252
C16	POLY-CAP 5MM 5% 63V 100N	CC0252
C17	POLY-CAP 5MM 5% 63V 100N	CC0252
C18	POLY-CAP 5MM 5% 63V 100N	CC0252
C19	POLY-CAP 5MM 5% 63V 100N	CC0252
C23	POLY-CAP 5MM 5% 100V 1N	CC0238
CN1	G80 IDC 20WY R/A LTCHD HDR	FA0060
CN2	G80 IDC 26WY R/A LATCHD ML HDR	FA0063
CN6	MTHD .1" 4WY VERT LCKG ML HDR	FF0638
CN8	MTHD.1"2WY R/A LCKG ML HDR S12	FF0648
D1	DIODE 1N4148	BA0001
D5	DIODE 1N4148	BA0001
D6	DIODE 1N4148	BA0001
D10	DIODE 1N4148	BA0001
IC2	14WY DIL IC SOCKET	FF0719
IC2	4011 QUAD 2 I/P NAND #	BF0502
IC5	16WY DIL IC SOCKET	FF0720
IC5	DG308/CJ QUAD ANALOGUE GATE #	BF0517
IC6	8WY DIL IC SOCKET	FF0718
IC6	DUAL OP AMP IC TL072CP @	BE0413

IC7	14WY DIL IC SOCKET	FF0719
IC7	4070 QUAD EXCLUSIVE OR #	BF0516
IC8	14WY DIL IC SOCKET	FF0719
IC8	QUAD COMPARATOR IC LM2901 @	BE0410
IC9	14WY DIL IC SOCKET	FF0719
IC9	QUAD COMPARATOR IC LM2901 @	BE0410
LD1	T1 3MM S.BRT LED RED PRF.SHORT	JA0060
LD2	T1 3MM S.BRT LED RED PRF.LONG	JA0061
LD3	T1 3MM S.BRT LED RED PRF.SHORT	JA0060
LD4	T1 3MM S.BRT LED AMB PRF.LONG	JA0063
LD5	T1 3MM S.BRT LED AMB PRF.SHORT	JA0062
LD6	T1 3MM S.BRT LED AMB PRF.LONG	JA0063
LD7	T1 3MM S.BRT LED GRN PRF.SHORT	JA0058
LD8	T1 3MM S.BRT LED GRN PRF.LONG	JA0059
LD9	T1 3MM S.BRT LED GRN PRF.SHORT	JA0058
LK1	ZERO OHM RESISTOR (METAL SLUG)	AZ2222
LK2	ZERO OHM RESISTOR (METAL SLUG)	AZ2222
LK3	ZERO OHM RESISTOR (METAL SLUG)	AZ2222
LK4	ZERO OHM RESISTOR (METAL SLUG)	AZ2222
LK5	ZERO OHM RESISTOR (METAL SLUG)	AZ2222
R9	MF 0.25W RES 2% 100K	AD0497
R24	MF 0.25W RES 2% 4K7	AD0465
R25	MF 0.25W RES 2% 150K	AD0501
R26	MF 0.25W RES 2% 10K	AD0473
R27	MF 0.25W RES 2% 1K	AD0449
R28	MF 0.25W RES 2% 100K	AD0497
R29	MF 0.25W RES 2% 4M7	AD0530
R30	MF 0.25W RES 2% 27K	AD0483
R31	MF 0.25W RES 2% 100R	AD0425
R32	MF 0.25W RES 2% 100R	AD0425
R33	MF 0.25W RES 2% 4K7	AD0465
R34	MF 0.25W RES 2% 680K	AD0517
R35	MF 0.25W RES 2% 12K	AD0475
R36	MF 0.25W RES 2% 4K7	AD0465
R37	MF 0.25W RES 2% 680K	AD0517
R38	MF 0.25W RES 2% 12K	AD0475
R41	MF 0.25W RES 2% 27K	AD0483
R42	MF 0.25W RES 2% 27K	AD0483
R43	MF 0.25W RES 2% 1K	AD0449
R44	MF 0.25W RES 2% 1K	AD0449
R45	MF 0.25W RES 2% 1K	AD0449
R46	MF 0.25W RES 2% 1K	AD0449
R47	MF 0.25W RES 2% 1K	AD0449
R48	MF 0.25W RES 2% 1K	AD0449
R49	MF 0.25W RES 2% 1K	AD0449
R50	MF 0.25W RES 2% 1K	AD0449
R51	MF 0.25W RES 2% 1K	AD0449
R52	MF 0.25W RES 2% 1K	AD0449
R53	MF 0.25W RES 2% 1K	AD0449
R54	MF 0.25W RES 2% 27K	AD0483
R55	MF 0.25W RES 2% 4K7	AD0465
R58	MF 0.25W RES 2% 100R	AD0425
R59	MF 0.25W RES 2% 470R	AD0441
R60	MF 0.25W RES 2% 100R	AD0425
R61	RES MF 10R 2% 0.25W RADIAL	AV0001
R62	RES MF 10R 2% 0.25W RADIAL	AV0001
R63	MF 0.25W RES 2% 10R	AD0401
R64	MF 0.25W RES 2% 10R	AD0401

SC3057	BVE100 SOURCE PCB	GE3057
TR9	NPN TRANS 2SC2240BL(TAPED)	BD0302
TR10	PNP TRANS 2SA970GR (TAPED)	BD0301
TR12	PNP TRANS 2SA970GR (TAPED)	BD0301
TR13	NPN TRANS 2SC2240BL(TAPED)	BD0302
TR14	NPN TRANS 2SC2240BL(TAPED)	BD0302

BVE100 Mon PCB

BVE100 Mon PCB Assy	RF3058
---------------------	--------

IDENT	DESCRIPTION	PART No.
C1	C/CAP 0.2" PRFRM TPD 100V 22PF	CA0004
C2	C/CAP 0.2" PRFRM TPD 100V 22PF	CA0004
C3	C/CAP 0.2" PRFRM TPD 100V 22PF	CA0004
C4	C/CAP 0.2" PRFRM TPD 100V 22PF	CA0004
C5	VERT ELEC 0.2" TPD 47MF 25V	CE0401
C6	VERT ELEC 0.2" TPD 47MF 25V	CE0401
C7	VERT ELEC 0.2" TPD 47MF 25V	CE0401
C8	VERT ELEC 0.2" TPD 47MF 25V	CE0401
C9	C/CAP 0.2" PRFRM TPD 100V 22PF	CA0004
C11	C/CAP 0.2" PRFRM TPD 100V 22PF	CA0004
C13	VERT ELEC 0.2" TPD 47MF 25V	CE0401
C14	VERT ELEC 0.2" TPD 2.2MF 50V	CE0416
C15	VERT ELEC 0.2" TPD 47MF 25V	CE0401
C16	VERT ELEC 0.2" TPD 47MF 25V	CE0401
C17	C/CAP 0.2" PRFRM TPD 100V 22PF	CA0004
C18	C/CAP 0.2" PRFRM TPD 100V 22PF	CA0004
C19	C/CAP 0.2" PRFRM TPD 100V 22PF	CA0004
C20	VERT ELEC 0.2" TPD 47MF 25V	CE0401
C21	VERT ELEC 0.2" TPD 47MF 25V	CE0401
C22	C/CAP 0.2" PRFRM TPD 100V 22PF	CA0004
C23	C/CAP 0.2" PRFRM TPD 100V 22PF	CA0004
C25	VERT ELEC 0.2" TPD 47MF 25V	CE0401
C26	VERT ELEC 0.2" TPD 47MF 25V	CE0401
C27	VERT ELEC 0.2" TPD 47MF 25V	CE0401
C28	VERT ELEC 0.2" TPD 47MF 25V	CE0401
C29	VERT ELEC 0.2" TPD 47MF 25V	CE0401
C30	POLY-CAP 5MM 5% 63V 100N	CC0252
C31	POLY-CAP 5MM 5% 63V 100N	CC0252
C32	POLY-CAP 5MM 5% 63V 100N	CC0252
C33	POLY-CAP 5MM 5% 63V 100N	CC0252
CN1	G80 IDC 20WY R/A LTCHD HDR	FA0060
CN2	G80 IDC 26WY R/A LATCHD ML HDR	FA0063
CN3	G80 IDC 16WY R/A LTCH ML HDR	FA0073
CN4	MTHD.1"2WY R/A LCKG ML HDR S12	FF0648
CN5	G80 IDC 40WY VERT LTCH ML HDR	FA0082
D1	DIODE 1N4148	BA0001
D2	DIODE 1N4148	BA0001
D3	DIODE 1N4148	BA0001
IC1	8WY DIL IC SOCKET	FF0718
IC1	DUAL OP AMP IC TL072CP @	BE0413
IC2	16WY DIL IC SOCKET	FF0720
IC2	DG308/CJ QUAD ANALOGUE GATE #	BF0517
IC3	16WY DIL IC SOCKET	FF0720
IC3	DG308/CJ QUAD ANALOGUE GATE #	BF0517
IC4	8WY DIL IC SOCKET	FF0718
IC4	DUAL OP AMP IC NE5532	BE0428

IC5	8WY DIL IC SOCKET	FF0718
IC5	DUAL OP AMP IC NE5532	BE0428
IC6	8WY DIL IC SOCKET	FF0718
IC6	DUAL OP AMP IC TL072CP @	BE0413
IC7	8WY DIL IC SOCKET	FF0718
IC7	SGL OP AMP IC TDA1034/NE5534	BE0407
J1	HONDA .1" 2WY JUMPER (GOLD)	FF0614
J1	HONDA .1" 2WY SIL HDR (GOLD)	FF0613
J2	HONDA .1" 2WY SIL HDR (GOLD)	FF0613
LED1	TOSHIBA LED RED TLR144	JA0003
MD5537	P.B. POTENTIOMETER MTG BRKT	PZ2271
R1	MF 0.25W RES 2% 10K	AD0473
R29	MF 0.25W RES 2% 5K1	AD0466
R30	MF 0.25W RES 2% 5K1	AD0466
R31	MF 0.25W RES 2% 5K1	AD0466
R32	MF 0.25W RES 2% 5K1	AD0466
R33	MF 0.25W RES 2% 2K2	AD0457
R34	MF 0.25W RES 2% 2K2	AD0457
R35	MF 0.25W RES 2% 22K	AD0481
R37	MF 0.25W RES 2% 220K	AD0505
R39	MF 0.25W RES 2% 390R	AD0439
R40	MF 0.25W RES 2% 68K	AD0493
R41	MF 0.25W RES 2% 5K1	AD0466
R42	MF 0.25W RES 2% 10R	AD0401
R43	MF 0.25W RES 2% 10R	AD0401
R44	MF 0.25W RES 2% 33R	AD0413
R45	MF 0.25W RES 2% 2K2	AD0457
R46	MF 0.25W RES 2% 22K	AD0481
R48	MF 0.25W RES 2% 220K	AD0505
R50	MF 0.25W RES 2% 390R	AD0439
R51	MF 0.25W RES 2% 68K	AD0493
R52	MF 0.25W RES 2% 5K1	AD0466
R53	MF 0.25W RES 2% 10R	AD0401
R54	MF 0.25W RES 2% 10R	AD0401
R55	MF 0.25W RES 2% 33R	AD0413
R56	MF 0.25W RES 2% 2K2	AD0457
R57	MF 0.25W RES 2% 33K	AD0485
R58	MF 0.25W RES 2% 33K	AD0485
R59	MF 0.25W RES 2% 75R	AD0422
R60	MF 0.25W RES 2% 22K	AD0481
R61	MF 0.25W RES 2% 12K	AD0475
R62	MF 0.25W RES 2% 12K	AD0475
R63	MF 0.25W RES 2% 12K	AD0475
R64	MF 0.25W RES 2% 12K	AD0475
R65	MF 0.25W RES 2% 22K	AD0481
R66	MF 0.25W RES 2% 22K	AD0481
R67	MF 0.25W RES 2% 75R	AD0422
R68	MF 0.25W RES 2% 75R	AD0422
R69	MF 0.25W RES 2% 680K	AD0517
R70	MF 0.25W RES 2% 680K	AD0517
R71	MF 0.25W RES 2% 560K	AD0515
R72	MF 0.25W RES 2% 3K3	AD0461
R73	MF 0.25W RES 2% 22K	AD0481
R74	MF 0.25W RES 2% 4K7	AD0465
R75	MF 0.25W RES 2% 5K1	AD0466
R76	MF 0.25W RES 2% 22K	AD0481
R77	MF 0.25W RES 2% 22K	AD0481
R78	MF 0.25W RES 2% 2K2	AD0457

R79	MF 0.25W RES 2% 390R	AD0439
R80	MF 0.25W RES 2% 390R	AD0439
R81	MF 0.25W RES 2% 390R	AD0439
R82	MF 0.25W RES 2% 3K3	AD0461
R84	MF 0.25W RES 2% 12K	AD0475
R86	MF 0.25W RES 2% 390R	AD0439
R87	MF 0.25W RES 2% 5K1	AD0466
R88	MF 0.25W RES 2% 10R	AD0401
R89	MF 0.25W RES 2% 10R	AD0401
R90	ZERO OHM RESISTOR (METAL SLUG)	AZ2222
R91	RES MF 10R 2% 0.25W RADIAL	AV0001
R92	RES MF 10R 2% 0.25W RADIAL	AV0001
R93	MF 0.25W RES 2% 10R	AD0401
R94	MF 0.25W RES 2% 10R	AD0401
R95	MF 0.25W RES 2% 12K	AD0475
R96	MF 0.25W RES 2% 12K	AD0475
SC3058	BVE100 MON PCB	GE3058
SW1	ALPS (SUN) 2 POLE PUSH SWT MOM	DF0520
SW2	ALPS (SUN) 2 POLE PUSH SWT MOM	DF0520
SW3	ALPS (SUN TYPE)2 POLE PUSH SWT	DF0516
SW4	ALPS (SUN TYPE)2 POLE PUSH SWT	DF0516
SW5	ALPS (SUN TYPE)4 POLE PUSH SWT	DF0517
SW6	ALPS (SUN TYPE)4 POLE PUSH SWT	DF0517
SW7	ALPS (SUN TYPE)4 POLE PUSH SWT	DF0517
SW8	ALPS (SUN TYPE)4 POLE PUSH SWT	DF0517
SW9	ALPS (SUN TYPE)4 POLE PUSH SWT	DF0517
SW10	ALPS (SUN TYPE)4 POLE PUSH SWT	DF0517
SW11	ALPS (SUN TYPE)4 POLE PUSH SWT	DF0517
TR1	NPN TRANS 2SC2240BL(TAPED)	BD0302
TR2	PNP TRANS 2SA970GR (TAPED)	BD0301
TR3	NPN TRANS 2SC2240BL(TAPED)	BD0302
TR4	PNP TRANS 2SA970GR (TAPED)	BD0301
TR5	NPN TRANS 2SC2240BL(TAPED)	BD0302
TR6	FET SWITCH J112 (TAPED) @	BD0322
TR7	FET SWITCH J112 (TAPED) @	BD0322
TR8	FET SWITCH J112 (TAPED) @	BD0322
TR9	NPN TRANS 2SC2240BL(TAPED)	BD0302
TR10	PNP TRANS 2SA970GR (TAPED)	BD0301
VR1	ALPS 16MM 10KA LOG	DM1103
VR2	ALPS 16MM 5K RD REV-LOGX2 POT	DM1109
VR3	ALPS 16MM C/D 10KB LIN X 2	DM1101
VR4	ALPS 16MM 10KA LOG X 2	DM1105

B100 Mon PCB

B100 Mon PCB Assy	RF3058a	
IDENT	DESCRIPTION	PART No.
C1	C/CAP 0.2" PRFRM TPD 100V 22PF	CA0004
C2	C/CAP 0.2" PRFRM TPD 100V 22PF	CA0004
C3	C/CAP 0.2" PRFRM TPD 100V 22PF	CA0004
C4	C/CAP 0.2" PRFRM TPD 100V 22PF	CA0004
C5	VERT ELEC 0.2" TPD 47MF 25V	CE0401
C6	VERT ELEC 0.2" TPD 47MF 25V	CE0401
C7	VERT ELEC 0.2" TPD 47MF 25V	CE0401
C8	VERT ELEC 0.2" TPD 47MF 25V	CE0401
C9	C/CAP 0.2" PRFRM TPD 100V 22PF	CA0004
C11	C/CAP 0.2" PRFRM TPD 100V 22PF	CA0004
C13	VERT ELEC 0.2" TPD 47MF 25V	CE0401

C14	VERT ELEC 0.2" TPD 2.2MF 50V	CE0416
C15	VERT ELEC 0.2" TPD 47MF 25V	CE0401
C16	VERT ELEC 0.2" TPD 47MF 25V	CE0401
C17	C/CAP 0.2" PRFRM TPD 100V 22PF	CA0004
C18	C/CAP 0.2" PRFRM TPD 100V 22PF	CA0004
C19	C/CAP 0.2" PRFRM TPD 100V 22PF	CA0004
C20	VERT ELEC 0.2" TPD 47MF 25V	CE0401
C21	VERT ELEC 0.2" TPD 47MF 25V	CE0401
C22	C/CAP 0.2" PRFRM TPD 100V 22PF	CA0004
C23	C/CAP 0.2" PRFRM TPD 100V 22PF	CA0004
C25	VERT ELEC 0.2" TPD 47MF 25V	CE0401
C26	VERT ELEC 0.2" TPD 47MF 25V	CE0401
C27	VERT ELEC 0.2" TPD 47MF 25V	CE0401
C28	VERT ELEC 0.2" TPD 47MF 25V	CE0401
C29	VERT ELEC 0.2" TPD 47MF 25V	CE0401
C30	POLY-CAP 5MM 5% 63V 100N	CC0252
C31	POLY-CAP 5MM 5% 63V 100N	CC0252
C32	POLY-CAP 5MM 5% 63V 100N	CC0252
C33	POLY-CAP 5MM 5% 63V 100N	CC0252
CN1	G80 IDC 20WY R/A LTCHD HDR	FA0060
CN2	G80 IDC 26WY R/A LATCHD ML HDR	FA0063
CN3	G80 IDC 16WY R/A LTCH ML HDR	FA0073
CN4	MTHD.1"2WY R/A LCKG ML HDR S12	FF0648
CN5	G80 IDC 40WY VERT LTCH ML HDR	FA0082
D1	DIODE 1N4148	BA0001
D2	DIODE 1N4148	BA0001
D3	DIODE 1N4148	BA0001
IC1	8WY DIL IC SOCKET	FF0718
IC1	DUAL OP AMP IC TL072CP @	BE0413
IC2	16WY DIL IC SOCKET	FF0720
IC2	DG308/CJ QUAD ANALOGUE GATE #	BF0517
IC3	16WY DIL IC SOCKET	FF0720
IC3	DG308/CJ QUAD ANALOGUE GATE #	BF0517
IC4	8WY DIL IC SOCKET	FF0718
IC4	DUAL OP AMP IC NE5532	BE0428
IC5	8WY DIL IC SOCKET	FF0718
IC5	DUAL OP AMP IC NE5532	BE0428
IC6	8WY DIL IC SOCKET	FF0718
IC6	DUAL OP AMP IC TL072CP @	BE0413
IC7	8WY DIL IC SOCKET	FF0718
IC7	SGL OP AMP IC TDA1034/NE5534	BE0407
J1	HONDA .1" 2WY JUMPER (GOLD)	FF0614
J1	HONDA .1" 2WY SIL HDR (GOLD)	FF0613
J2	HONDA .1" 2WY SIL HDR (GOLD)	FF0613
LED1	TOSHIBA LED RED TLR144	JA0003
MD5537	P.B. POTENTIOMETER MTG BRKT	PZ2271
R1	MF 0.25W RES 2% 10K	AD0473
R29	MF 0.25W RES 2% 5K1	AD0466
R30	MF 0.25W RES 2% 5K1	AD0466
R31	MF 0.25W RES 2% 5K1	AD0466
R32	MF 0.25W RES 2% 5K1	AD0466
R33	MF 0.25W RES 2% 2K2	AD0457
R34	MF 0.25W RES 2% 2K2	AD0457
R35	MF 0.25W RES 2% 22K	AD0481
R37	MF 0.25W RES 2% 220K	AD0505
R39	MF 0.25W RES 2% 390R	AD0439
R40	MF 0.25W RES 2% 68K	AD0493
R41	MF 0.25W RES 2% 5K1	AD0466

R42	MF 0.25W RES 2% 10R	AD0401
R43	MF 0.25W RES 2% 10R	AD0401
R44	MF 0.25W RES 2% 33R	AD0413
R45	MF 0.25W RES 2% 2K2	AD0457
R46	MF 0.25W RES 2% 22K	AD0481
R48	MF 0.25W RES 2% 220K	AD0505
R50	MF 0.25W RES 2% 390R	AD0439
R51	MF 0.25W RES 2% 68K	AD0493
R52	MF 0.25W RES 2% 5K1	AD0466
R53	MF 0.25W RES 2% 10R	AD0401
R54	MF 0.25W RES 2% 10R	AD0401
R55	MF 0.25W RES 2% 33R	AD0413
R56	MF 0.25W RES 2% 2K2	AD0457
R57	MF 0.25W RES 2% 33K	AD0485
R58	MF 0.25W RES 2% 33K	AD0485
R59	MF 0.25W RES 2% 75R	AD0422
R60	MF 0.25W RES 2% 22K	AD0481
R61	MF 0.25W RES 2% 12K	AD0475
R62	MF 0.25W RES 2% 12K	AD0475
R63	MF 0.25W RES 2% 12K	AD0475
R64	MF 0.25W RES 2% 12K	AD0475
R65	MF 0.25W RES 2% 22K	AD0481
R66	MF 0.25W RES 2% 22K	AD0481
R67	MF 0.25W RES 2% 75R	AD0422
R68	MF 0.25W RES 2% 75R	AD0422
R69	MF 0.25W RES 2% 680K	AD0517
R70	MF 0.25W RES 2% 680K	AD0517
R71	MF 0.25W RES 2% 560K	AD0515
R72	MF 0.25W RES 2% 3K3	AD0461
R73	MF 0.25W RES 2% 22K	AD0481
R74	MF 0.25W RES 2% 4K7	AD0465
R75	MF 0.25W RES 2% 5K1	AD0466
R76	MF 0.25W RES 2% 22K	AD0481
R77	MF 0.25W RES 2% 22K	AD0481
R78	MF 0.25W RES 2% 2K2	AD0457
R79	MF 0.25W RES 2% 390R	AD0439
R80	MF 0.25W RES 2% 390R	AD0439
R81	MF 0.25W RES 2% 390R	AD0439
R82	MF 0.25W RES 2% 3K3	AD0461
R84	MF 0.25W RES 2% 12K	AD0475
R86	MF 0.25W RES 2% 390R	AD0439
R87	MF 0.25W RES 2% 5K1	AD0466
R88	MF 0.25W RES 2% 10R	AD0401
R89	MF 0.25W RES 2% 10R	AD0401
R90	ZERO OHM RESISTOR (METAL SLUG)	AZ2222
R91	RES MF 10R 2% 0.25W RADIAL	AV0001
R92	RES MF 10R 2% 0.25W RADIAL	AV0001
R93	MF 0.25W RES 2% 10R	AD0401
R94	MF 0.25W RES 2% 10R	AD0401
R95	MF 0.25W RES 2% 12K	AD0475
R96	MF 0.25W RES 2% 12K	AD0475
SC3058	BVE100 MON PCB	GE3058
SW1	ALPS (SUN) 2 POLE PUSH SWT MOM	DF0520
SW2	ALPS (SUN) 2 POLE PUSH SWT MOM	DF0520
SW3	ALPS (SUN TYPE)2 POLE PUSH SWT	DF0516
SW4	ALPS (SUN TYPE)2 POLE PUSH SWT	DF0516
SW5	ALPS (SUN TYPE)4 POLE PUSH SWT	DF0517
SW6	ALPS (SUN TYPE)4 POLE PUSH SWT	DF0517

SW7	ALPS (SUN TYPE)4 POLE PUSH SWT	DF0517
SW8	ALPS (SUN TYPE)4 POLE PUSH SWT	DF0517
SW9	ALPS (SUN TYPE)4 POLE PUSH SWT	DF0517
SW10	ALPS (SUN TYPE)4 POLE PUSH SWT	DF0517
SW11	ALPS (SUN TYPE)4 POLE PUSH SWT	DF0517
TR1	NPN TRANS 2SC2240BL(TAPED)	BD0302
TR2	PNP TRANS 2SA970GR (TAPED)	BD0301
TR3	NPN TRANS 2SC2240BL(TAPED)	BD0302
TR4	PNP TRANS 2SA970GR (TAPED)	BD0301
TR5	NPN TRANS 2SC2240BL(TAPED)	BD0302
TR6	FET SWITCH J112 (TAPED) @	BD0322
TR7	FET SWITCH J112 (TAPED) @	BD0322
TR8	FET SWITCH J112 (TAPED) @	BD0322
TR9	NPN TRANS 2SC2240BL(TAPED)	BD0302
TR10	PNP TRANS 2SA970GR (TAPED)	BD0301
VR1	ALPS 16MM 10KA LOG	DM1103
VR2	ALPS 16MM 5K RD REV-LOGX2 POT	DM1109
VR3	ALPS 16MM C/D 10KB LIN X 2	DM1101
VR4	ALPS 16MM 10KA LOG X 2	DM1105

BVE100 I/P PCB

BVE100 I/P PCB Assy	RG3055
---------------------	--------

IDENT	DESCRIPTION	PART No.
C1	VERT ELEC 0.2" 47UF 63V	CE0402
C2	VERT ELEC 0.2" 47UF 63V	CE0402
C3	VERT ELEC 0.2" TPD 100MF 10V	CE0403
C4	VERT ELEC 0.2" TPD 100MF 10V	CE0403
C5	VERT ELEC 1000UF/10V	CE0439
C6	VERT ELEC 0.2" TPD 47MF 25V	CE0401
C7	VERT ELEC 0.2" TPD 47MF 25V	CE0401
C8	POLY-CAP 5MM 5% 100V 2N2	CC0240
C9	POLY-CAP 5MM 5% 100V 2N2	CC0240
C10	C/CAP 0.2" PRFRM TPD 100V 22PF	CA0004
C11	C/CAP 0.2" PRFRM TPD 100V 22PF	CA0004
C12	POLY-CAP 5MM 5% 100V 47N	CC0248
C13	POLY-CAP 5MM 5% 100V 47N	CC0248
C14	POLY-CAP 5MM 5% 100V 2N2	CC0240
C15	POLY-CAP 5MM 5% 63V 220N	CC0255
C16	POLY-CAP 5MM 5% 100V 2N2	CC0240
C17	POLY-CAP 5MM 5% 100V 4N7	CC0242
C18	VERT ELEC 0.2" TPD 47MF 25V	CE0401
C19	VERT ELEC 0.2" TPD 47MF 25V	CE0401
C20	VERT ELEC 0.2" TPD 47MF 25V	CE0401
C21	VERT ELEC 0.2" TPD 47MF 25V	CE0401
C22	VERT ELEC 0.2" TPD 47MF 25V	CE0401
C23	C/CAP 0.2" PRFRM TPD 100V 22PF	CA0004
C24	C/CAP 0.2" PRFRM TPD 100V 22PF	CA0004
C25	POLY-CAP 5MM 5% 63V 100N	CC0252
C26	POLY-CAP 5MM 5% 63V 220N	CC0255
C27	POLY-CAP 5MM 5% 63V 100N	CC0252
C28	POLY-CAP 5MM 5% 63V 100N	CC0252
C29	POLY-CAP 5MM 5% 63V 100N	CC0252
C30	VERT ELEC 0.2"TPD 2.2MF 50V	CE0416
C31	VERT ELEC 0.2" TPD 47MF 25V	CE0401
C32	VERT ELEC 0.2" TPD 47MF 25V	CE0401
C33	POLY-CAP 5MM 5% 63V 220N	CC0255

C34	C/C 0.2" TAPED 100V 680PF(N68)	CA0009
C35	VERT ELEC 0.2" TPD 2.2MF 50V	CE0416
CN1	G80 IDC 20WY R/A LTCHD HDR	FA0060
CN2	G80 IDC 10WY VERT LTCH ML HDR	FA0088
CN2	NO.4X1/4" PAN POZI BLK S/T	NA0068
CN3	MTHD.1"2WY R/A LCKG ML HDR S12	FF0648
D1	DIODE 1N4148	BA0001
IC1	DUAL OP AMP IC TL072CP @	BE0413
IC2	DUAL OP AMP IC TL072CP @	BE0413
IC3	DUAL OP AMP IC TL072CP @	BE0413
IC4	DUAL OP AMP IC TL072CP @	BE0413
J2	ZERO OHM RESISTOR (METAL SLUG)	AZ2222
J3	ZERO OHM RESISTOR (METAL SLUG)	AZ2222
LD1	T1 3MM S.BRT LED GRN PRF.SHORT	JA0058
LD2	T1 3MM S.BRT LED RED PRF.SHORT	JA0060
LD3	T1 3MM S.BRT LED RED PRF.SHORT	JA0060
LD4	T1 3MM S.BRT LED GRN PRF.SHORT	JA0058
MD5537	P.B. POTENTIOMETER MTG BRKT	PZ2271
PR1	BIC-CITEC TRIMMER 406M 20K	DE0424
R1	MF 0.25W RES 2% 10K	AD0473
R2	MF 0.25W RES 2% 10K	AD0473
R3	MF 0.25W RES 2% 680R	AD0445
R4	MF 0.25W RES 2% 680R	AD0445
R5	MF 0.25W RES 2% 4K3	AD0464
R6	MF 0.25W RES 2% 6K8	AD0469
R7	MF 0.25W RES 2% 6K8	AD0469
R8	MF 0.25W RES 2% 10K	AD0473
R9	MF 0.25W RES 2% 10K	AD0473
R10	MF 0.25W RES 2% 47K	AD0489
R11	MF 0.25W RES 2% 47K	AD0489
R12	MF 0.25W RES 2% 1K	AD0449
R13	MF 0.25W RES 2% 1K	AD0449
R14	MF 0.25W RES 2% 47K	AD0489
R15	MF 0.25W RES 2% 47K	AD0489
R16	MF 0.25W RES 2% 12K	AD0475
R17	MF 0.25W RES 2% 12K	AD0475
R18	MF 0.25W RES 2% 4K3	AD0464
R19	MF 0.25W RES 2% 4K3	AD0464
R20	MF 0.25W RES 2% 10R	AD0401
R21	MF 0.25W RES 2% 12K	AD0475
R22	MF 0.25W RES 2% 12K	AD0475
R23	MF 0.25W RES 2% 4K3	AD0464
R24	MF 0.25W RES 2% 4K3	AD0464
R25	MF 0.25W RES 2% 22K	AD0481
R26	MF 0.25W RES 2% 22K	AD0481
R27	MF 0.25W RES 2% 47K	AD0489
R28	MF 0.25W RES 2% 47K	AD0489
R29	MF 0.25W RES 2% 1K8	AD0455
R30	MF 0.25W RES 2% 1K8	AD0455
R31	MF 0.25W RES 2% 22K	AD0481
R32	MF 0.25W RES 2% 10K	AD0473
R33	MF 0.25W RES 2% 12K	AD0475
R34	MF 0.25W RES 2% 12K	AD0475
R35	MF 0.25W RES 2% 6K2	AD0468
R36	MF 0.25W RES 2% 6K2	AD0468
R37	MF 0.25W RES 2% 22K	AD0481
R38	MF 0.25W RES 2% 75R	AD0422
R39	MF 0.25W RES 2% 22K	AD0481

R40	MF 0.25W RES 2% 22K	AD0481
R41	MF 0.25W RES 2% 470K	AD0513
R42	MF 0.25W RES 2% 4K7	AD0465
R43	MF 0.25W RES 2% 33R	AD0413
R44	MF 0.25W RES 2% 22K	AD0481
R45	MF 0.25W RES 2% 100K	AD0497
R47	MF 0.25W RES 2% 1K8	AD0455
R48	MF 0.25W RES 2% 33R	AD0413
R49	MF 0.25W RES 2% 4K3	AD0464
R50	MF 0.25W RES 2% 12K	AD0475
R51	MF 0.25W RES 2% 12K	AD0475
R52	MF 0.25W RES 2% 4K3	AD0464
R53	MF 0.25W RES 2% 4K3	AD0464
R54	MF 0.25W RES 2% 12K	AD0475
R55	MF 0.25W RES 2% 12K	AD0475
R56	MF 0.25W RES 2% 75R	AD0422
R57	MF 0.25W RES 2% 100K	AD0497
R58	MF 0.25W RES 2% 12K	AD0475
R59	MF 0.25W RES 2% 470K	AD0513
R60	MF 0.25W RES 2% 10K	AD0473
R61	MF 0.25W RES 2% 270R	AD0435
R62	MF 0.25W RES 2% 100K	AD0497
R63	MF 0.25W RES 2% 22K	AD0481
R64	MF 0.25W RES 2% 22K	AD0481
R65	MF 0.25W RES 2% 1K8	AD0455
R66	MF 0.25W RES 2% 270R	AD0435
R67	MF 0.25W RES 2% 100K	AD0497
R68	MF 0.25W RES 2% 270R	AD0435
R69	MF 0.25W RES 2% 4K3	AD0464
R70	MF 0.25W RES 2% 470K	AD0513
R71	MF 0.25W RES 2% 270R	AD0435
R72	MF 0.25W RES 2% 33R	AD0413
R73	MF 0.25W RES 2% 56K	AD0491
R74	RES MF 10R 2% 0.25W RADIAL	AV0001
R75	RES MF 10R 2% 0.25W RADIAL	AV0001
R76	MF 0.25W RES 2% 10R	AD0401
R77	MF 0.25W RES 2% 10R	AD0401
R78	MF 0.25W RES 2% 1K8	AD0455
R79	MF 0.25W RES 2% 2K2	AD0457
R80	MF 0.25W RES 2% 4K7	AD0465
SC3055	BVE100 I/P PCB	GG3055
SW1	ALPS (SUN TYPE)2 POLE PUSH SWT	DF0516
SW9	ALPS (SUN TYPE)4 POLE PUSH SWT	DF0517
TR1	TRANS 2SD786S	BD0350
TR2	TRANS 2SD786S	BD0350
TR3	NPN TRANS 2SC2240BL(TAPED)	BD0302
TR4	PNP TRANS 2SA970GR (TAPED)	BD0301
TR5	NPN TRANS 2SC2240BL(TAPED)	BD0302
TR6	NPN TRANS 2SC2240BL(TAPED)	BD0302
VCA1	DBX 1252HA2 VCA	BE0453
VR1	ALPS 16MM 5K RD REV-LOGX2 POT	DM1109
VR2	ALPS 16MM C/D 10KB LIN	DM1102
VR3	ALPS 16MM 100KC REV.SEMILOG X2	DM1106
VR4	ALPS 16MM C/D 10KB LIN	DM1102
VR5	ALPS 16MM C/D 10KB LIN	DM1102
VR6	ALPS 16MM 10KA LOG	DM1103
VR7	ALPS 16MM 10KA LOG	DM1103
VR8	ALPS 16MM C/D 10KB LIN X 2	DM1101

B100 I/P PCB Assy		RG3055a
IDENT	DESCRIPTION	PART No.
C1	VERT ELEC 0.2" 47UF 63V	CE0402
C2	VERT ELEC 0.2" 47UF 63V	CE0402
C3	VERT ELEC 0.2" TPD 100MF 10V	CE0403
C4	VERT ELEC 0.2" TPD 100MF 10V	CE0403
C5	VERT ELEC 1000UF/10V	CE0439
C6	VERT ELEC 0.2" TPD 47MF 25V	CE0401
C7	VERT ELEC 0.2" TPD 47MF 25V	CE0401
C8	POLY-CAP 5MM 5% 100V 2N2	CC0240
C9	POLY-CAP 5MM 5% 100V 2N2	CC0240
C10	C/CAP 0.2" PRFRM TPD 100V 22PF	CA0004
C11	C/CAP 0.2" PRFRM TPD 100V 22PF	CA0004
C12	POLY-CAP 5MM 5% 100V 47N	CC0248
C13	POLY-CAP 5MM 5% 100V 47N	CC0248
C14	POLY-CAP 5MM 5% 100V 4N7	CC0242
C15	POLY-CAP 5MM 5% 63V 100N	CC0252
C16	POLY-CAP 5MM 5% 100V 2N2	CC0240
C17	POLY-CAP 5MM 5% 100V 4N7	CC0242
C18	VERT ELEC 0.2" TPD 47MF 25V	CE0401
C19	VERT ELEC 0.2" TPD 47MF 25V	CE0401
C20	VERT ELEC 0.2" TPD 47MF 25V	CE0401
C21	VERT ELEC 0.2" TPD 47MF 25V	CE0401
C22	VERT ELEC 0.2" TPD 47MF 25V	CE0401
C24	C/CAP 0.2" PRFRM TPD 100V 22PF	CA0004
C25	POLY-CAP 5MM 5% 63V 100N	CC0252
C27	POLY-CAP 5MM 5% 63V 100N	CC0252
C28	POLY-CAP 5MM 5% 63V 100N	CC0252
C29	POLY-CAP 5MM 5% 63V 100N	CC0252
C31	VERT ELEC 0.2" TPD 47MF 25V	CE0401
C32	VERT ELEC 0.2" TPD 47MF 25V	CE0401
C33	POLY-CAP 5MM 5% 63V 220N	CC0255
C34	C/C 0.2" TAPED 100V 680PF(N68)	CA0009
C35	VERT ELEC 0.2" TPD 2.2MF 50V	CE0416
CN1	G80 IDC 20WY R/A LTCHD HDR	FA0060
CN2	G80 IDC 10WY VERT LTCH ML HDR	FA0088
CN2	NO.4X1/4" PAN POZI BLK S/T	NA0068
D1	DIODE 1N4148	BA0001
IC1	DUAL OP AMP IC TL072CP @	BE0413
IC2	DUAL OP AMP IC TL072CP @	BE0413
IC3	DUAL OP AMP IC TL072CP @	BE0413
LD1	T1 3MM S.BRT LED GRN PRF.SHORT	JA0058
LD2	T1 3MM S.BRT LED RED PRF.SHORT	JA0060
LD3	T1 3MM S.BRT LED RED PRF.SHORT	JA0060
MD5537	P.B. POTENTIOMETER MTG BRKT	PZ2271
R1	MF 0.25W RES 2% 10K	AD0473
R2	MF 0.25W RES 2% 10K	AD0473
R3	MF 0.25W RES 2% 680R	AD0445
R4	MF 0.25W RES 2% 680R	AD0445
R5	MF 0.25W RES 2% 4K3	AD0464
R6	MF 0.25W RES 2% 6K8	AD0469
R7	MF 0.25W RES 2% 6K8	AD0469
R8	MF 0.25W RES 2% 10K	AD0473
R9	MF 0.25W RES 2% 10K	AD0473
R10	MF 0.25W RES 2% 47K	AD0489
R11	MF 0.25W RES 2% 47K	AD0489
R12	MF 0.25W RES 2% 1K	AD0449
R13	MF 0.25W RES 2% 1K	AD0449

R14	MF 0.25W RES 2% 47K	AD0489
R15	MF 0.25W RES 2% 47K	AD0489
R16	MF 0.25W RES 2% 12K	AD0475
R17	MF 0.25W RES 2% 12K	AD0475
R18	MF 0.25W RES 2% 4K3	AD0464
R19	MF 0.25W RES 2% 4K3	AD0464
R20	MF 0.25W RES 2% 10R	AD0401
R21	MF 0.25W RES 2% 12K	AD0475
R22	MF 0.25W RES 2% 12K	AD0475
R23	MF 0.25W RES 2% 4K3	AD0464
R24	MF 0.25W RES 2% 4K3	AD0464
R25	MF 0.25W RES 2% 22K	AD0481
R26	MF 0.25W RES 2% 22K	AD0481
R27	MF 0.25W RES 2% 47K	AD0489
R28	MF 0.25W RES 2% 47K	AD0489
R29	MF 0.25W RES 2% 3K6	AD0462
R30	MF 0.25W RES 2% 3K6	AD0462
R31	MF 0.25W RES 2% 7K5	AD0470
R32	MF 0.25W RES 2% 4K7	AD0465
R33	MF 0.25W RES 2% 12K	AD0475
R34	MF 0.25W RES 2% 12K	AD0475
R35	MF 0.25W RES 2% 6K2	AD0468
R36	MF 0.25W RES 2% 6K2	AD0468
R37	MF 0.25W RES 2% 22K	AD0481
R38	MF 0.25W RES 2% 75R	AD0422
R39	MF 0.25W RES 2% 22K	AD0481
R45	MF 0.25W RES 2% 100K	AD0497
R47	MF 0.25W RES 2% 1K8	AD0455
R48	MF 0.25W RES 2% 33R	AD0413
R49	MF 0.25W RES 2% 4K3	AD0464
R50	MF 0.25W RES 2% 12K	AD0475
R51	MF 0.25W RES 2% 12K	AD0475
R52	MF 0.25W RES 2% 4K3	AD0464
R53	MF 0.25W RES 2% 4K3	AD0464
R54	MF 0.25W RES 2% 12K	AD0475
R55	MF 0.25W RES 2% 12K	AD0475
R56	MF 0.25W RES 2% 75R	AD0422
R57	MF 0.25W RES 2% 100K	AD0497
R58	MF 0.25W RES 2% 12K	AD0475
R59	MF 0.25W RES 2% 470K	AD0513
R60	MF 0.25W RES 2% 10K	AD0473
R61	MF 0.25W RES 2% 270R	AD0435
R62	MF 0.25W RES 2% 100K	AD0497
R63	MF 0.25W RES 2% 22K	AD0481
R64	MF 0.25W RES 2% 22K	AD0481
R65	MF 0.25W RES 2% 1K8	AD0455
R66	MF 0.25W RES 2% 270R	AD0435
R72	MF 0.25W RES 2% 33R	AD0413
R74	RES MF 10R 2% 0.25W RADIAL	AV0001
R75	RES MF 10R 2% 0.25W RADIAL	AV0001
R76	MF 0.25W RES 2% 10R	AD0401
R77	MF 0.25W RES 2% 10R	AD0401
R79	MF 0.25W RES 2% 2K2	AD0457
R80	MF 0.25W RES 2% 4K7	AD0465
SC3055	BVE100 I/P PCB	GG3055
SW1	ALPS (SUN TYPE)2 POLE PUSH SWT	DF0516
SW9	ALPS (SUN TYPE)4 POLE PUSH SWT	DF0517
TR1	TRANS 2SD786S	BD0350

TR2	TRANS 2SD786S	BD0350
TR3	NPN TRANS 2SC2240BL(TAPED)	BD0302
TR4	PNP TRANS 2SA970GR (TAPED)	BD0301
TR5	NPN TRANS 2SC2240BL(TAPED)	BD0302
VR1	ALPS 16MM 5K RD REV-LOGX2 POT	DM1109
VR2	ALPS 16MM C/D 20KB LIN	DM1107
VR3	ALPS 16MM 100KC REV.SEMIOLOG X2	DM1106
VR4	ALPS 16MM C/D 10KB LIN	DM1102
VR5	ALPS 16MM C/D 20KB LIN	DM1107
VR6	ALPS 16MM 10KA LOG	DM1103
VR7	ALPS 16MM 10KA LOG	DM1103
VR8	ALPS 16MM C/D 10KB LIN X 2	DM1101

BVE100 Master Mod Assy BVE100 Master Mod Assy RS5174

IDENT	DESCRIPTION	PART No.
MD3999	M7 POT NUT BLACK CHAMFERED	NB0131
MD5919	BRACKET R/ANGLE PCB SUPPORT	PG0997
MD6327	BVE100 MASTER PNL	PC1081
MI3408	BVE100 SOURCE I/P VCN4A4 WFM	RV2428
MI3409	BVE100 SOURCE I/P VCN4B4WFM	RV2429
	14MM PUSH ON KNOB GRY/BLK CAP	KA0052
	14MM PUSH ON KNOB GRY/BLUE CAP	KA0053
	14MM PUSH ON KNOB GRY/RED CAP	KA0056
	BVE100 MASTER GROUND WFM	RV2515
	BVE100 MIC WFM 50MM	RV2405
	BVE100 MIX PCB ASSY	RC3056
	BVE100 MIX/SRCE/MON WFM	RV2438
	BVE100 MON PCB ASSY	RD3058
	BVE100 MTR SUB PCB ASSY	RA3094
	BVE100 MYMA SWT ASSY GRN	RU1733
	BVE100 MYMA SWT ASSY RED	RU1732
	BVE100 MYMA SWT ASSY WHITE	RU1734
	BVE100 SOURCE PCB ASSY	RD3057
	BVE100 SOURCE/MON 2WY WFM	RV2434
	BVE100 SPKR TO MON WFM	RV2435
	DECLON FOAM 25MM SQ.	ZZ2207
	KOON 11MM FDR KNOB BLK	KA0123
	KOON 11MM FDR KNOB YELLOW	KA0122
	KOON 60MM 10K LOG MONO FDR	DD0356
	M3 NYLON INSERT NUT	NB0113
	M3 X 4MM PAN POZI SCW ZNC&PASS	NA0118
	M3 X 5MM CSK POZI SCREW BLK	NA0113
	M3X16 TAPPED PLASTIC SPACER	ND0360
	M3X4 CSK INSTR HD POZI BLK	NA0304
	M3X6MM CSK POZI BLK SCREW	NA0083
	MYMA DIFUSER "1/L"	KB1402
	MYMA DIFUSER "2/R"	KB1403
	MYMA DIFUSER "DIM"	KB1401
	MYMA DIFUSER"BVE"	KB1400
	NYLATRON POT WASHER BLACK	NC0254
	SCHDW BTN L.GREY HT STMPD "ON"	KB0247
	SCHDW BTN L/GREY HT STMPD"CUE"	KB0476
	SCHDW BTN LGREY HT STMPD "EXT"	KB0265
	SCHDW BTN L\GREY HT STAMPD "6"	KB0427
	SCHDW BTN L\GREY HT STMPD "1"	KB0422

.....	SCHDW BTN LIGREY HT STMPD "2"	KB0423
.....	SCHDW BTN LIGREY HT STMPD "3"	KB0424
.....	SCHDW BTN LIGREY HT STMPD "4"	KB0425
.....	SCHDW BTN LIGREY HT STMPD "5"	KB0426
.....	SCHDW BTN LIGREY HTSTMPD "MNO"	KB0420
.....	SCHDW FSD BTN WHITE ENGVD EXT	KB0516
.....	SCHDWBTN LIGREY HTSTAMPED"AUX"	KB0434
.....	SHADOW BUTTON BLANK L GREY	KB0235
.....	SHDW FSD BTN WHITE 4INT4	KB1572
.....	SPEAKER 8R 1W 50MM DIA FLANGED	ZZ2828

BVE100 I/P Mod Assy

.....	BVE100 I/P Mod Assy	RS5175
IDENT	DESCRIPTION	PART No.
MD3999	M7 POT NUT BLACK CHAMFERED	NB0131
MD6326	BVE100 I/P PNL	PC1082
MD6352	BVE100 FDR BRKT	PG1079
.....	12.5MM PUSH ON KNB GRY/BLK CAP	KA0045
.....	14MM PUSH ON KNOB GRY/BLUE CAP	KA0053
.....	14MM PUSH ON KNOB GRY/GRY CAP	KA0058
.....	14MM PUSH ON KNOB GRY/RED CAP	KA0056
.....	14MM PUSH ON KNOB GRY/YELL CAP	KA0057
.....	BVE100 I/P PCB ASSY	RE3055
.....	KOON 11MM FDR KNOB WHITE	KA0121
.....	KOON 60MM 10K LOG MONO FDR	DD0356
.....	M2X6MM PAN POZI BLACK SCR	NA0324
.....	M3 X 4MM PAN POZI SCW ZNC&PASS	NA0118
.....	M3 X 5MM CSK POZI SCREW BLK	NA0113
.....	M3X4 CSK INSTR HD POZI BLK	NA0304
.....	NYLATRON POT WASHER BLACK	NC0254
.....	SCHDW BTN L.GREY HT STMPD "EQ"	KB0242
.....	SCHDW BTN L.GREY HT STMPD "LI"	KB0240
.....	SCHDW BTN L.GREY HT STMPD "ON"	KB0247
.....	SCHDW BTN L.GREY HT STMPD PHSE	KB0238
.....	SCHDW BTN L/GREY "+48"	KB0591
.....	SCHDW BTN L/GREY HT STMPD"CUE"	KB0476
.....	SCHDW BTN LGREY HT STMP HIPASS	KB0239

BVE100 RR Con Assy

.....	BVE100 RR Con Assy	RS5176
IDENT	DESCRIPTION	PART No.
MD6328	BVE100 CONNECTOR PNL	PC1019
MI3406	BVE100 SRC WFM	RV2425
.....	BVE100 15WY D CON WFM	RV2426
.....	BVE100 37WY D CON WFM	RV2427
.....	BVE100 DESK GROUND WFM	RV2514
.....	BVE100 I/P RR CON PCB ASSY	RB3059
.....	BVE100 MIX/AUX/CRM PCB ASSY	RC3060
.....	D-CON CVR SCREW LOCK FML	NZ2248
.....	M3 BLACK NYLON WASHER	NC0231
.....	M3 NYLON INSERT NUT	NB0113
.....	M3 X 8MM PAN POZI BLCK SCRW	NA0130
.....	M3X6MM PAN POZI BLK SCREW	NA0084

B100 Master Mod Assy

IDENT	DESCRIPTION	PART No.
MD3999	M7 POT NUT BLACK CHAMFERED	NB0131
MD5919	BRACKET R/ANGLE PCB SUPPORT	PG0997
MD6626	B100 MASTER MOD FSC	PC1116
	14MM PUSH ON KNOB GRY/BLK CAP	KA0052
	14MM PUSH ON KNOB GRY/BLUE CAP	KA0053
	14MM PUSH ON KNOB GRY/RED CAP	KA0056
	B100 MON PCB ASSY	RF3058
	B100 SOURCE PCB ASSY	RE3057
	BVE100 MASTER GROUND WFM	RV2515
	BVE100 MIC WFM 50MM	RV2405
	BVE100 MIX PCB ASSY	RC3056
	BVE100 MIX/SRCE/MON WFM	RV2438
	BVE100 MTR SUB PCB ASSY	RA3094
	BVE100 MYMA SWT ASSY RED	RU1732
	BVE100 SOURCE/MON 2WY WFM	RV2434
	BVE100 SPKR TO MON WFM	RV2435
	DECLON FOAM 25MM SQ.	ZZ2207
	KOON 60MM 10K MONO FDR CPA-65B	DD0380
	KOON FDR KNOB BLK-CPA-65-STYLE	KA0156
	KOON FDR KNOB YL-CPA-65B-STYLE	KA0155
	M3 NYLON INSERT NUT	NB0113
	M3 X 4MM PAN POZI SCW ZNC&PASS	NA0118
	M3 X 5MM CSK POZI SCREW BLK	NA0113
	M3X16 TAPPED PLASTIC SPACER	ND0360
	M3X6MM CSK POZI BLK SCREW	NA0083
	MYMA DIFUSER "DIM"	KB1401
	NYLATRON POT WASHER BLACK	NC0254
	S30 SPEAKER FRET FABRIC	ZZ2765
	SCHDW BTN HT STMPD"2TR" L/GRY	KB1625
	SCHDW BTN L.GREY HT STMPD "ON"	KB0247
	SCHDW BTN L/GREY HT STMPD"CUE"	KB0476
	SCHDW BTN LGREY HT STMPD "EXT"	KB0265
	SCHDW BTN LIGREY HT STMPD "1"	KB0422
	SCHDW BTN LIGREY HT STMPD "2"	KB0423
	SCHDW BTN LIGREY HT STMPD "3"	KB0424
	SCHDW BTN LIGREY HT STMPD "4"	KB0425
	SCHDW BTN LIGREY HT STMPD "5"	KB0426
	SCHDW BTN LIGREY HTSTMPD "MNO"	KB0420
	SCHDW FSD BTN WHITE ENGVD EXT	KB0516
	SCHDWBTN LIGREY HTSTAMPED"AUX"	KB0434
	SHADOW BUTTON BLANK L GREY	KB0235
	SHDW FSD BTN WHITE 4INT4	KB1572
	SPEAKER 8R 1W 50MM DIA FLANGED	ZZ2828

B100 I/P Mod Assy

IDENT	DESCRIPTION	PART No.
MD3999	M7 POT NUT BLACK CHAMFERED	NB0131
MD6624	B100 MONO I/P MOD FSC	PC1107
	12.5MM PUSH ON KNB GRY/BLK CAP	KA0045
	14MM PUSH ON KNOB GRY/BLUE CAP	KA0053
	14MM PUSH ON KNOB GRY/GRY CAP	KA0058
	14MM PUSH ON KNOB GRY/RED CAP	KA0056
	14MM PUSH ON KNOB GRY/YELL CAP	KA0057
	B100 I/P PCB ASSY	RG3055

.....	KOON 60MM 10K MONO FDR CPA-65B	DD0380
.....	KOON FDR KNOB WHT-CPA65B-STYLE	KA0154
.....	M3 X 5MM CSK POZI SCREW BLK	NA0113
.....	NO4X1/4" PAN POZI ZNC &PASS AB	NA0190
.....	NO4X1/4"CSK S/TAP POZI BLK SCR	NA0325
.....	NYLATRON POT WASHER BLACK	NC0254
.....	PCB MOUNTING BLOCK (A&H)	PZ2275
.....	SCHDW BTN L.GREY HT STMPD "EQ"	KB0242
.....	SCHDW BTN L.GREY HT STMPD "LI"	KB0240
.....	SCHDW BTN L.GREY HT STMPD "ON"	KB0247
.....	SCHDW BTN L.GREY HT STMPD PHSE	KB0238
.....	SCHDW BTN L/GREY "+48"	KB0591
.....	SCHDW BTN L/GREY HT STMPD"CUE"	KB0476
.....	SCHDW BTN LGREY HT STMP HIPASS	KB0239
.....	SCHDW BTN LGREY HT STMPD "PRE"	KB0243

B100 RR Con Assy

.....	B100 RR Con Assy	RS5409
IDENT	DESCRIPTION	PART No.
MD6627	B100 8CH CONNECTOR PNL	PC1105
MI3406	BVE100 SRC WFM	RV2425
	BVE100 37WY D CON WFM	RV2427
	BVE100 DESK GROUND WFM	RV2514
	BVE100 I/P RR CON PCB ASSY	RB3059
	BVE100 MIX/AUX/CRM PCB ASSY	RC3060
	D-CON CVR SCREW LOCK FML	NZ2248
	M3 BLACK NYLON WASHER	NC0231
	M3 X 8MM PAN POZI BLCK SCRW	NA0130
	M3X6MM PAN POZI BLK SCREW	NA0084

BVE100S 8CH RR CON ASSY

.....	--- BVE100S 8CH RR Con Assy	RS5548
IDENT	DESCRIPTION	PART No.
---	M3X6MM PAN POZI BLK SCREW	NA0084
---	M3 X 8MM PAN POZI BLCK SCRW	NA0130
---	M3 NYLON INSERT NUT	NB0113
---	M3 BLACK NYLON WASHER	NC0231
---	D-CON CVR SCREW LOCK FML	NZ2248
---	BVE100S 8CH CONNECTOR PNL	PC1159-01
---	BVE100 I/P RR CON PCB ASSY	RB3059

**BVE100S MASTER MODULE
ASSY**

BVE100S Master Module Assy

RS5555

IDENT	DESCRIPTION	PART No.
--	KOON 60MM 10K MONO FDR CPA-65B	DD0380
--	MYMA LED RED	JA0070
--	MYMA LED GREEN	JA0071
--	MYMA LED YELLOW	JA0072
--	14MM PUSH ON KNOB GRY/BLK CAP	KA0052
--	14MM PUSH ON KNOB GRY/BLUE CAP	KA0053
--	14MM PUSH ON KNOB GRY/RED CAP	KA0056
--	KOON FDR KNOB YEL-CPA65B-STYLE	KA0155
--	KOON FDR KNOB BLK-CPA65B-STYLE	KA0156
--	--- SCHADOW BUTTON BLANK L GREY	KB0235
--	SCHDW BTN L.GREY HT STMPD "ON"	KB0247
--	SCHDW BTN LGREY HT STMPD "EXT"	KB0265
--	SCHDW BTN LIGREY HTSTMPD "MNO"	KB0420
--	SCHDW BTN LIGREY HT STMPD "1"	KB0422
--	SCHDW BTN LIGREY HT STMPD "2"	KB0423
--	SCHDW BTN LIGREY HT STMPD "3"	KB0424
--	SCHDW BTN LIGREY HT STMPD "4"	KB0425
--	SCHDW BTN LIGREY HT STMPD "5"	KB0426
--	SCHDW BTN LIGREY HT STAMPD "6"	KB0427
--	SCHDWBTN LIGREY HTSTAMPED"AUX"	KB0434
--	SCHDW BTN L/GREY HT STMPD"CUE"	KB0476
--	SCHDW FSD BTN WHITE ENGVD EXT	KB0516
--	MYMA LENS CLEAR	KB1378
--	MYMA DIFUSER"BVE"	KB1400
--	MYMA DIFUSER "DIM"	KB1401
--	MYMA DIFUSER "1/L"	KB1402
--	MYMA DIFUSER "2/R"	KB1403
--	SHDW FSD BTN WHITE 'INT'	KB1572
--	M3X6MM CSK POZI BLK SCREW	NA0083
--	M3 X 4MM PAN POZI SCW ZNC&PASS	NA0118
--	M3X4 CSK INSTR HD POZI BLK	NA0304
--	M3 NYLON INSERT NUT	NB0113
--	M7 POT NUT BLACK CHAMFERED	NB0131
--	NYLATRON POT WASHER BLACK	NC0254
--	M3X16 TAPPED PLASTIC SPACER	ND0360
--	BVE100S MASTER PNL	PC1165-01
--	BRACKET R/ANGLE PCB SUPPORT	PG0997
--	BVE100 MTR SUB PCB ASSY	RA3094
--	BVE100 MIX PCB ASSY	RC3056
--	BVE100 SOURCE PCB ASSY	RE3057
--	BVE100 MON PCB ASSY	RF3058

BVE100 8Ch Mech Frm BVE100 8Ch Mech Frm RT1815		
IDENT	DESCRIPTION	PART No.
MD6290	BVE100 FRONT EXTRU	PE1250
MD6291	BVE100 TOP/RR EXTRU	PE1156
MD6292	BVE100 MID EXTRU	PE1160
MD6329	BVE100 REAR PNL	PB0538
MD6330	BVE100 BASE PNL	PB0539
MD6331	BVE100 SIDE PNL LH	PH0965
MD6332	BVE100 SIDE PNL RH	PH0966
MD6333	BVE100 SUPPORT PLATE	PA0132
.	6ABX1/2" CSK S/TAP POZI BLK	NA0303
.	GROMMET STRIP	ZZ2613
.	M3 BLACK NYLON WASHER	NC0231
.	M3 S/PROOF WASHER	NC0221
.	M3 X 8MM PAN POZI BLCK SCRW	NA0130
.	M3X1"X0.200" TAPPED STRIP	NZ2233

BVE100S 8Ch Mech Frm BVE100 8Ch Mech Frm RT1943		
IDENT	DESCRIPTION	PART No.
MD6290	BVE100 FRONT EXTRU	PE1250
MD6291	BVE100 TOP/RR EXTRU	PE1156
MD6292	BVE100 MID EXTRU	PE1160
MD6329	BVE100 REAR PNL	PB0538
MD6330	BVE100 BASE PNL	PB0539
MD6331	BVE100 SIDE PNL LH	PH0965
MD6332	BVE100 SIDE PNL RH	PH0966
.	BVE100S 8CH PCB SUPPORT	PA0244
.	6ABX1/2" CSK S/TAP POZI BLK	NA0303
.	M3 BLACK NYLON WASHER	NC0231
.	M3 S/PROOF WASHER	NC0221
.	M3 X 8MM PAN POZI BLCK SCRW	NA0130
.	M3X1"X0.200" TAPPED STRIP	NZ2233

BVE100 MYMA Swt Assy Red BVE100 MYMA Swt Assy Red RU1732		
IDENT	DESCRIPTION	PART No.
.	7/0.2 TWSTD WR RD/BRWN/GRN/BLK	LA0055
.	MTHD 4WY .1" FML	FF0609
.	MYMA LED RED	JA0070
.	MYMA LENS CLEAR	KB1378
.	MYMA MOM SWITCH UNIT ONLY	DF0588

BVE100 MYMA Swt Assy Grn BVE100 MYMA Swt Assy Grn RU1733

IDENT	DESCRIPTION	PART No.
	7/0.2 TWSTD WR RD/BRWN/GRN/BLK	LA0055
	MTHD 4WY .1" FML	FF0609
	MYMA LED GREEN	JA0071
	MYMA LENS CLEAR	KB1378
	MYMA MOM SWITCH UNIT ONLY	DF0588

BVE100 MYMA Swt Assy White BVE100 MYMA Swt Assy White RU1734

IDENT	DESCRIPTION	PART No.
	7/0.2 TWSTD WR RD/BRWN/GRN/BLK	LA0055
	MTHD 4WY .1" FML	FF0609
	MYMA LED YELLOW	JA0072
	MYMA LENS CLEAR	KB1378
	MYMA MOM SWITCH UNIT ONLY	DF0588

BVE100 Mic Wfm 50mm BVE100 Mic Wfm 50mm RV2405

IDENT	DESCRIPTION	PART No.
	7/0.2 TRIPLE TWST BLK/GRN/RED	LA0053
	MIC CAPSULE EM-3RN	ZB0110
	MTHD 3WY .1" FML	FF0628

BVE100 SRC Wfm BVE100 SRC Wfm RV2425

IDENT	DESCRIPTION	PART No.
	5WAY PANEL MNT PIN RECEPTACLE	FJ0819
	6BA SOLDER TAG STARRED	NE0405
	CABLE TIE 4.3"	LF0501
	H15X20MM HELSYN SLEEVE BLUE	LF0522
	MOLEX POLARISING KEY	FF0800
	TRIFURCON CRIMP CONTACT-CHAIN	FG0636

BVE100 37Wy D Con Wfm BVE100 37Wy D Con Wfm RV2427

IDENT	DESCRIPTION	PART No.
	CAN 40-WAY R/CBL	LC0203
	D-TYPE 37WY IDC CBL MNT FML	FB0138
	VARELCO IDC 40WY FML CBL MNT	FA0114

BVE100 SOURCE I/P VCN 'A' WIREFORM BVE100 Source I/P VCN 'A' Wireform RV2428

BVE100 SOURCE I/P VCN 'B' WIREFORM BVE100 Source I/P VCN 'B' Wireform RV2429

BVE100 20Wy Motherloom BVE100 20Wy Motherloom RV2430

IDENT	DESCRIPTION	PART No.
	CAN 20WY R/CBL	LC0217
	MLX IDC 20WY FML CBL MNT PLRSD	FA0030

BVE100 26Wy Mix I/P Loom BVE100 26Wy Mix I/P Loom RV2431

IDENT	DESCRIPTION	PART No.
	CAN 26-WAY R/CBL	LC0210
	MLX IDC 26WY FML CBL MNT PLRZD	FA0084

BVE100 10Wy I/P Loom BVE100 10Wy I/P Loom RV2432

IDENT	DESCRIPTION	PART No.
	CAN 10WY R/CBL	LC0216
	V4LCO IDC 10WY FML CBL MNT PLR	FA0107

BVE100 16Wy Monitor Loom BVE100 16Wy Monitor Loom RV2433

IDENT	DESCRIPTION	PART No.
	R/CBL GREY 16WY	LC0225
	VARELCO IDC 16WY FML CBL MNT	FA0110

BVE100 Source/Mon 2Wy Wfm BVE100 Source/Mon 2Wy Wfm RV2434

IDENT	DESCRIPTION	PART No.
	7/0.2 TWISTED PAIR BLACK/WHITE	LA0047
	MTHD 2WY .1" FML	FF0585

BVE100 Spkr to Mon Wfm BVE100 Spkr to Mon Wfm RV2435

IDENT	DESCRIPTION	PART No.
	7/0.2 TWISTED PAIR BLACK/WHITE	LA0047
	MTHD 2WY .1" FML	FF0585

BVE100 Mix/Srce/Mon Wfm BVE100 Mix/Srce/Mon Wfm RV2438

IDENT	DESCRIPTION	PART No.
	CAN 26-WAY R/CBL	LC0210
	MLX IDC 26WY FML CBL MNT PLRZD	FA0084

BVE100 Desk Ground Wfm BVE100 Desk Ground Wfm RV2514

IDENT	DESCRIPTION	PART No.
.....	32/0.2 GREEN WIRE	LA0015
.....	6BA SOLDER TAG STARRED	NE0405
.....	CABLE TIE 4.3"	LF0501
.....	H15X20MM HELSYN SLEEVE BLUE	LF0522

BVE100 Master Ground Wfm BVE100 Master Ground Wfm RV2515

IDENT	DESCRIPTION	PART No.
.....	6BA SOLDER TAG STARRED	NE0405
.....	H15X20MM HELSYN SLEEVE BLUE	LF0522

9-Way ML Editor Loom 9-Way ML Editor Loom RV2799

9-Way FML Editor Loom 9-Way FML Editor Loom RV2800

BVE100S SRC Wireform BVE100S SRC Wireform RV2929

BVE100S Digital/Source Loom BVE100S Digital/Source Loom RV2930

BVE100S Mic Wireform BVE100S Mic Wireform RV2967

IDENT	DESCRIPTION	PART No.
.....	MIC CAPSULE 43-00012	ZB0113

BVE100 8Ch Mono Console Assembly BVE100 8Ch Mono Console Assembly RW1326

IDENT	DESCRIPTION	PART No.
.....	15WY D-TYPE FML SOLDER BUCKET	FB0130
.....	15WY D-TYPE ML SOLDER BUCKET	FB0129
.....	15WY D-TYPE SCREWDOWN HOOD	FB0131
.....	37WY D-CON COVER	FB0143

37WY D-CON FML SLD/BUCKET	FB0140
37WY D-TYPE CON ML SLD/BUCKET	FB0141
BVE100 8CH MONO CONSOLE TSTD	RY1326
BVE100 CARTON	TA0198
BVE100 LH END CAP(POLY)	TB0190
BVE100 RH END CAP(POLY)	TB0191
BVE100 USER MANUAL	ZZ2758
CPS150 POWER SUPPLY	RW8000
D-TYPE 15WY IDC CBLMNT ML	FB0139
D-TYPE 37WY IDC CBL MNT FML	FB0138

B100 8Ch Mono Console Assembly

B100 8Ch Mono Console Assembly	RW1438
--------------------------------	--------

IDENT	DESCRIPTION	PART No.
	37WY D-CON COVER	FB0143
	37WY D-CON FML SLD/BUCKET	FB0140
	37WY D-TYPE CON ML SLD/BUCKET	FB0141
	B100 8CH MONO CONSOLE TSTD	RY1438
	B100 USER GUIDE	ZM0002
	BVE100 CARTON	TA0198
	BVE100 LH END CAP(POLY)	TB0190
	BVE100 RH END CAP(POLY)	TB0191
	CPS150 POWER SUPPLY	RW8000

BVE100 8Ch Mono Console Tstd

BVE100 8Ch Mono Console Tstd	Ry1326
------------------------------	--------

IDENT	DESCRIPTION	PART No.
MI3470	BVE100 8CH MECH FRM	RT1815
MI3484	BVE100 MASTER MOD ASSY	RS5174
MI3491	BVE100 I/P MOD ASSY	RS5175
	BVE100 10WY I/P LOOM	RV2432
	BVE100 16WY MONITOR LOOM	RV2433
	BVE100 20WY MOTHERLOOM	RV2430
	BVE100 26WY MIX I/P LOOM	RV2431
	BVE100 RR CON ASSY	RS5176
	M3 BLACK NYLON WASHER	NC0231

B100 8Ch Mono Console Tstd

B100 8Ch Mono Console Tstd	RY1438
----------------------------	--------

IDENT	DESCRIPTION	PART No.
MI3470	BVE100 8CH MECH FRM	RT1815
	B100 8CH RR CON ASSY	RS5409
	B100 MASTER MOD ASSY	RS5406
	B100 MONO I/P MOD ASSY	RS5407
	BVE100 10WY I/P LOOM	RV2432
	BVE100 16WY MONITOR LOOM	RV2433
	BVE100 20WY MOTHERLOOM	RV2430
	BVE100 26WY MIX I/P LOOM	RV2431
	M3 BLACK NYLON WASHER	NC0231
	M3 X 8MM PAN POZI BLCK SCRW	NA0130
	M3 X 8MM PAN POZI PLTD SCREW	NA0116
	M3X6MM CSK POZI BLK SCREW	NA0083
	M4 PLAIN STEEL WASHER ZNC CLR	NC0249

**BVE100S 8CH MONO
CNSL TSTD**

..... BVE100S 8CH Mono Cnsl Tstd RY5105

IDENT	DESCRIPTION	PART No.
—	9WY D-CON COVER	FB0119
—	MINI D-CON 9WY SKT	FB0120
—	37WY D-TYPE CON ML SLD/BUCKET	FB0141
—	37WY D-CON COVER	FB0143
—	D-CON 9WY FML SOLDER BUCKET	FB0158
—	M3X6MM CSK POZI BLK SCREW	NA0083
—	M3 X 8MM PAN POZI PLTD SCREW	NA0116
—	M3 X 8MM PAN POZI BLCK SCRW	NA0130
—	M3 BLACK NYLON WASHER	NC0231
—	BVE100S DIGITAL PCB ASSY	RA3384

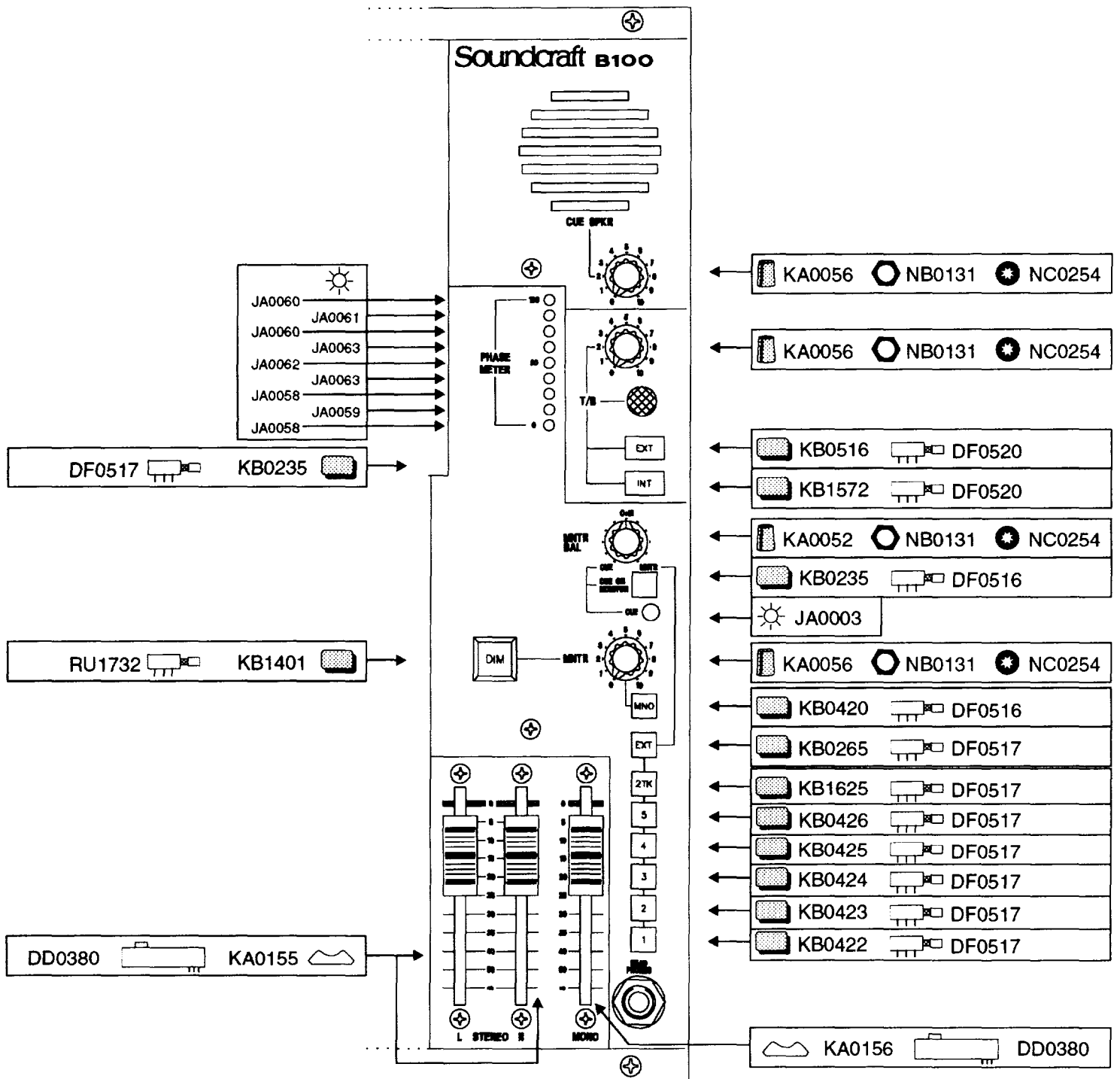
12. Parts Quick Reference

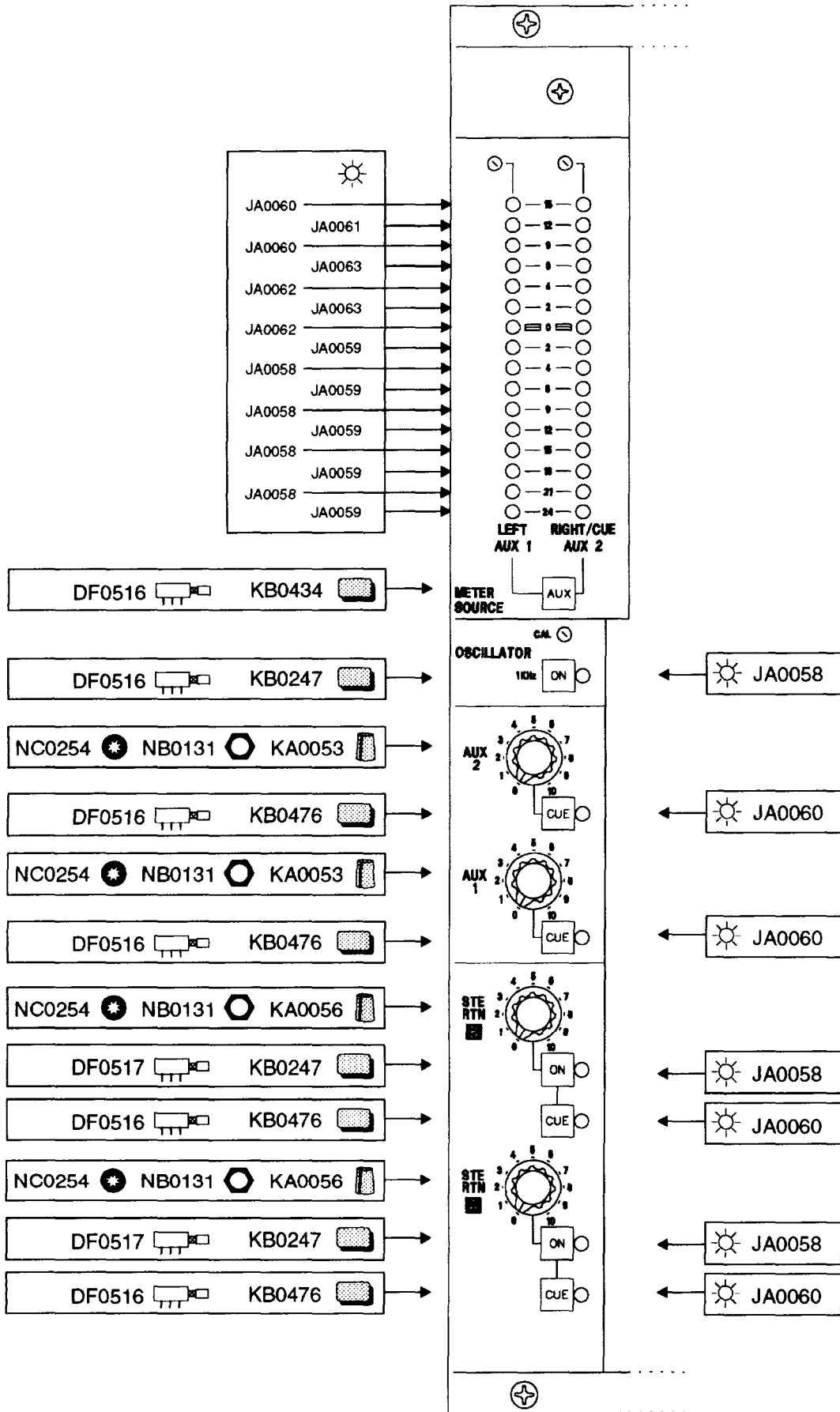
B100 Master Module RS5406 12.2

B100 Input Module RS5407 12.5

BVE100 Master Module RS5174 12.6

BVE100 Input Module RS5175 12.9





KEY COMPONENTS

Ident	Type	Part No.
PCB	SC3056	RG3056
D1-3	1N4148	BA0001
DZ1	400MW 6.2V	BB0104
IC1	NE5532	BE0428
IC4,5,8, 10,11,12	TLO72CP	BE0413
IC13-16	LM2901	BE0410
TR1	J112	BD0322
TR2	SC2240BL	BD0302
TR3-6	2SA970GR	BD0301
VR1,2	10KA	DM1103
VR3,4	10KA x 2	DM1105

KEY COMPONENTS

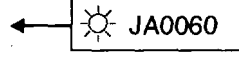
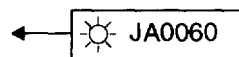
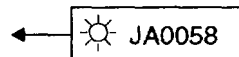
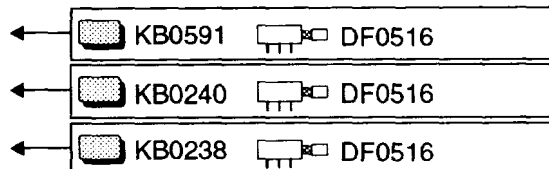
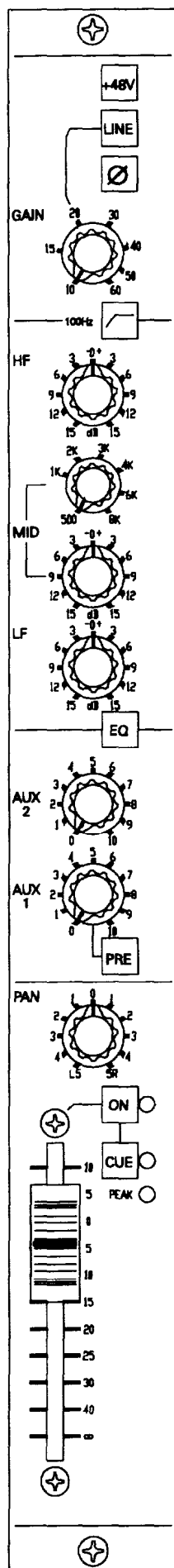
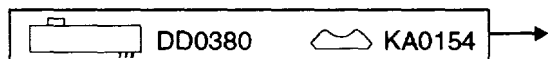
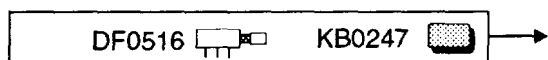
Ident	Type	Part No.
PCB	SC3058a	RD3058a
All diodes	1N4148	BA0001
IC1,6	TLO72CP	BE0413
IC2,3	DG308/CJ	BF0517
IC4,5	NE5532	BE0428
IC7	NE5534	BE0407
TR1,3,5,9	SC2240BL	BD0302
TR2,4,10	2SA970GR	BD0301
TR6-8	J112	BD0322
VR1	10KA	DM1103
VR2	5K RD x 2	DM1109
VR3	10KB x 2	DM1101
VR4	10KA x 2	DM1105

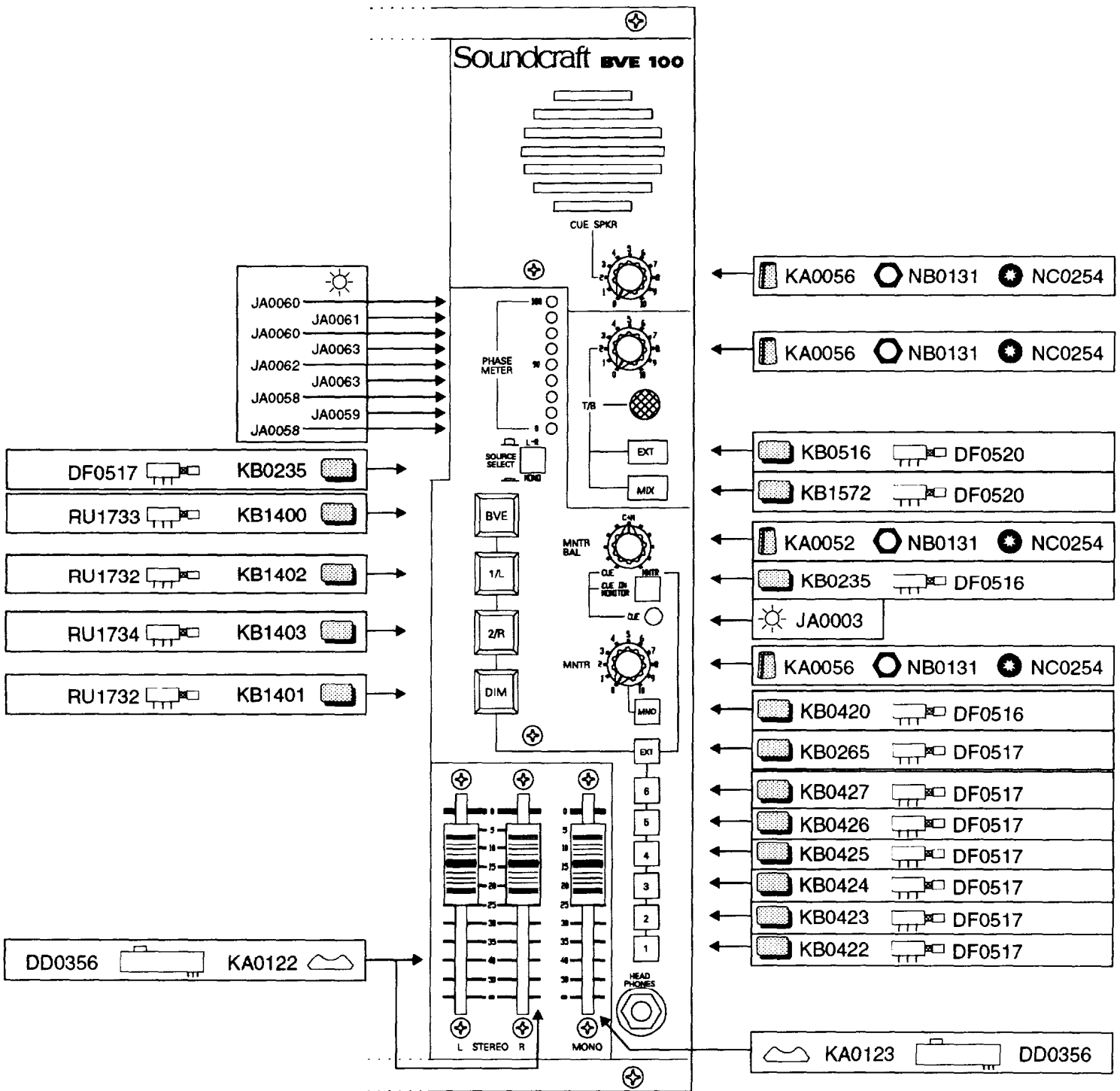
KEY COMPONENTS

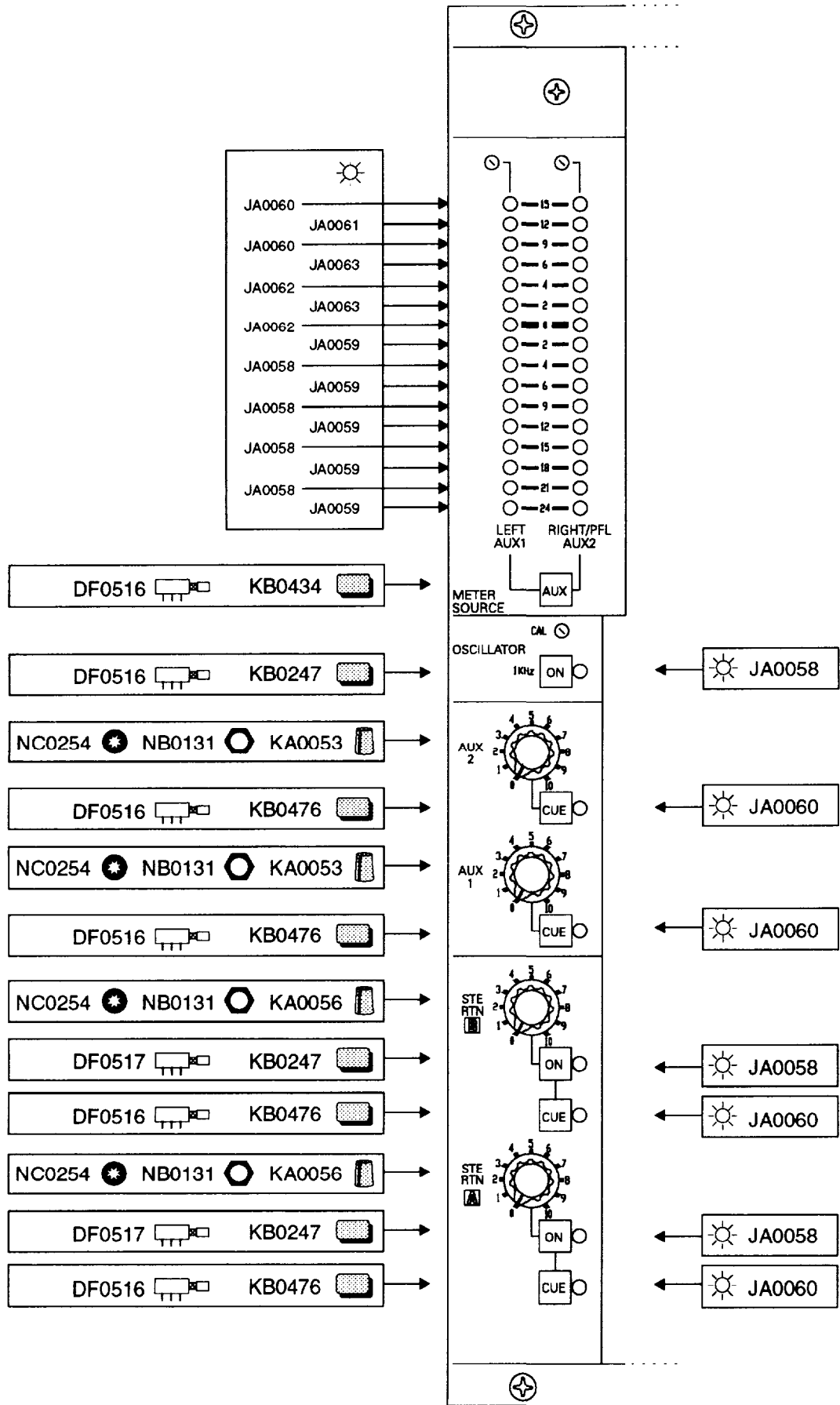
Ident	Type	Part No.
PCB	SC3057a	RE3057a
All diodes	1N4148	BA0001
IC2	4011	BF0502
IC5	DG308/CJ	BF0517
IC6	TLO72CP	FF0719
IC7	4070	BEO410
IC8,9	LM2901	BE0410
TR9,13,14	SC2240BL	GE3057
TR10,12	2SA970GR	BD0301

KEY COMPONENTS

Ident	Type	Part No.
PCB	SC3055a	RG3055a
Diode	1N4148	BA0001
IC1-3	TLO72CP	BE0413
TR1,2	2SD786S	BD0350
TR3,5	SC2240BL	BD0302
TR4	2SA970GR	BD0301
VR1	5K RD x 2	DM1109
VR2,5	20KB	DM1107
VR3	100KC x 2	DM1106
VR4	10KB	DM1102
VT6,7	10KA	DM1103
VR8	10KB x 2	DM1101







KEY COMPONENTS

Ident	Type	Part No.
PCB	SC3056	RG3056
D1-3	1N4148	BA0001
DZ1	400MW 6.2V	BB0104
IC1	NE5532	BE0428
IC4,5,8, 10,11,12	TLO72CP	BE0413
IC13-16	LM2901	BE0410
TR1	J112	BD0322
TR2	SC2240BL	BD0302
TR3-6	2SA970GR	BD0301
VR1,2	10KA	DM1103
VR3,4	10KA x 2	DM1105

KEY COMPONENTS

Ident	Type	Part No.
PCB	SC3058	RD3058
All diodes	1N4148	BA0001
IC1,6	TLO72CP	BE0413
IC2,3	DG308/CJ	BF0517
IC4,5	NE5532	BE0428
IC7	NE5534	BE0407
TR1,3,5,9	SC2240BL	BD0302
TR2,4,10	2SA970GR	BD0301
TR6-8	J112	BD0322
VR1	10KA	DM1103
VR2	5K RD x 2	DM1109
VR3	10KB x 2	DM1101
VR4	10KA x 2	DM1105

KEY COMPONENTS

Ident	Type	Part No.
PCB	SC3057	RD3057
All diodes	1N4148	BA0001
IC1,2	4011	BF0502
IC3,4,5	DG308/CJ	BF0517
IC6	TLO72CP	BE0413
IC7	4070	BF0516
IC8,9	LM2901	BE0410
IC10,11, 12,13	4066	BF0507
TR1,10, 11,12	SC2240BL	BD0301
TR2,6,7,8, 9,13,14	2SA970GR	BD0302

KEY COMPONENTS

Ident	Type	Part No.
PCB	SC3055	RG3055
Diode	1N4148	BA0001
IC1-4	TLO72CP	BE0413
TR1,2	2SD786S	BD0350
TR3,5,6	SC2240BL	BD0302
TR4	2SA970GR	BD0301
VR1	5K RD x 2	DM1109
VR2,4,5	10KB	DM1102
VR3	100KC x 2	DM1106
VT6,7	10KA	DM1103
VR8	10KB x 2	DM1101

